

# **GAFNER Manure and Compost Spreader**

## **SPARE PARTS LIST**

**1.65 - 4.05 vario mounted and trailer models from approx. mid-2005 - approx. 2014**

Copyright ©

This customer documentation is published by GAFNER Maschinenbau AG,  
CH-8637 Laupen-Wald (Tel. 055 246 34 15 / FAX 055 246 51 70)  
All rights reserved, particularly the rights of reproduction, distribution and translation.  
No part of this work may be reproduced in any form (printing,  
photocopying, microfilm or any other process) or stored,  
processed, reproduced or distributed using electronic systems,  
without written authorisation.

### **Technical modifications**

GAFNER reserves the right to make technical modifications  
to the product or to this document at any time without separate notification.

## Table of contents

Chapter		Page
1	Drive unit	3 - 4
2	Star-shaped rotor - planetary gearbox	5 - 7
3	Spreading rotor - spreading flap with slider	8 - 10
		11 - 13
4	Scraper floor	14 - 16
5	Hydraulic hoses	17
6	Hydraulics - actuation elements	18 - 19
	Hydraulics - power unit	20 - 21
7	Tank	22 - 23
8	Spreading housing	24 - 25
10	Parts for trailer	26 - 29
11	Rear lights and supports	30 - 31
12	Mounting elements for truck	32 - 35
13	Self-adhesive signs	36 - 37

### Ordering example for spare parts

Gafner type: e.g. Type 2.0 VARIO

Chassis number: e.g. No. 4480

Spare part number: e.g. No. 201.01.100

Order text: e.g. Drive shaft VARIO mounted model

Quantity: e.g. 1 pc.

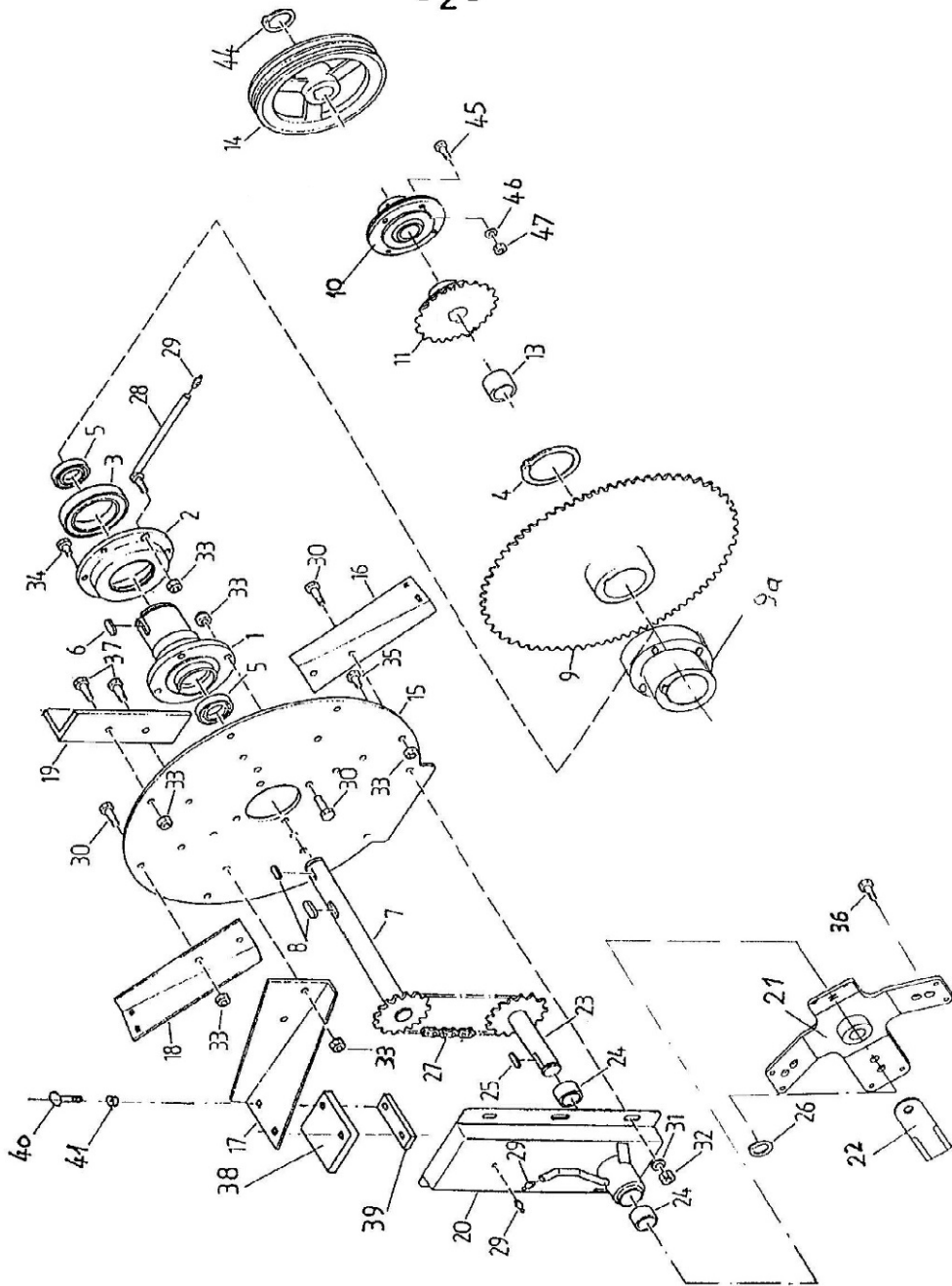


### Drive unit

Pos.	Order no.	Order text	
1	201.01.100	Drive shaft mounted model	
1	202.01.200	Drive shaft trailer model	
3		Sprocket plate 3/4" Z 15	no longer in product range
4		Sprocket plate 3/4" Z 25	no longer in product range
5	000.02.010	Flanged bearing oval	ø35
	001.01.005	Bearing insert	ø35
17	000.01.017	Chain rider	3/4"
18	601.01.045	Hexagon screw	M12x55
19	301.01.015	Spacer plate	
20	000.01.020	Perforated plate	
21	000.01.021	Slider for tensioner	M12 thread
22	000.01.022	Threaded rod (specify length)	M12
23	000.01.023	Compression spring	3,2/19,2x59
33	201.01.033	Roller chain 1.65/2.05/2.15/2.35	3/4" ASA60 117 links
	202.01.033	Roller chain 2-55-4.05	3/4" ASA60 125 links
34	201.01.034	Roller chain 1.65/2.05/2.15/2.35	3/4" ASA60 89 links
	202.01.034	Roller chain 2-55-4.05	3/4" ASA60 97 links
no fig.	004.01.034	Chain lock straight	3/4"
no fig.	005.01.034	Chain lock bent	3/4"
35	000.02.032	Hexagon nut	M12
37	000.03.018	Hexagon locknut	M12
39	000.02.031	Washer	M12
40	000.02.030	Hexagon screw	M12x30
41+42	000.01.052	Shaft extension extendable without shear bolts	
43	000.03.026	Pillow block	ø35
	001.01.005	Bearing insert	ø35
44	201.01.044	Angle plate with hole for shaft extension	
45	201.01.451	Sheet-metal protective cap f. mounted model	
46	000.01.046	Sheet-metal protective cap f. trailer model (2 pcs.)	à
50	000.01.050	Wide-angle PTO shaft f. trailer model with shear bolts	
	000.01.051	Wide-angle PTO shaft f. trailer model without shear bolts	
60	000.01.060	PTO shaft w. guard overall length 75 cm with shear bolts	
	000.02.060	PTO shaft w. guard overall length 108 cm	
	000.03.060	PTO shaft w. guard overall length 140 cm	
	000.03.065	Shear bolt hex qual. 10.9 for PTO shaft	M8x50
	000.03.066	Shear bolt hex qual. 8.8 for PTO shaft	M10x50
	000.04.060	Shear bolt hex qual. 12.9	M8x50

**Star-shaped rotor planetary gear**

- 2 -



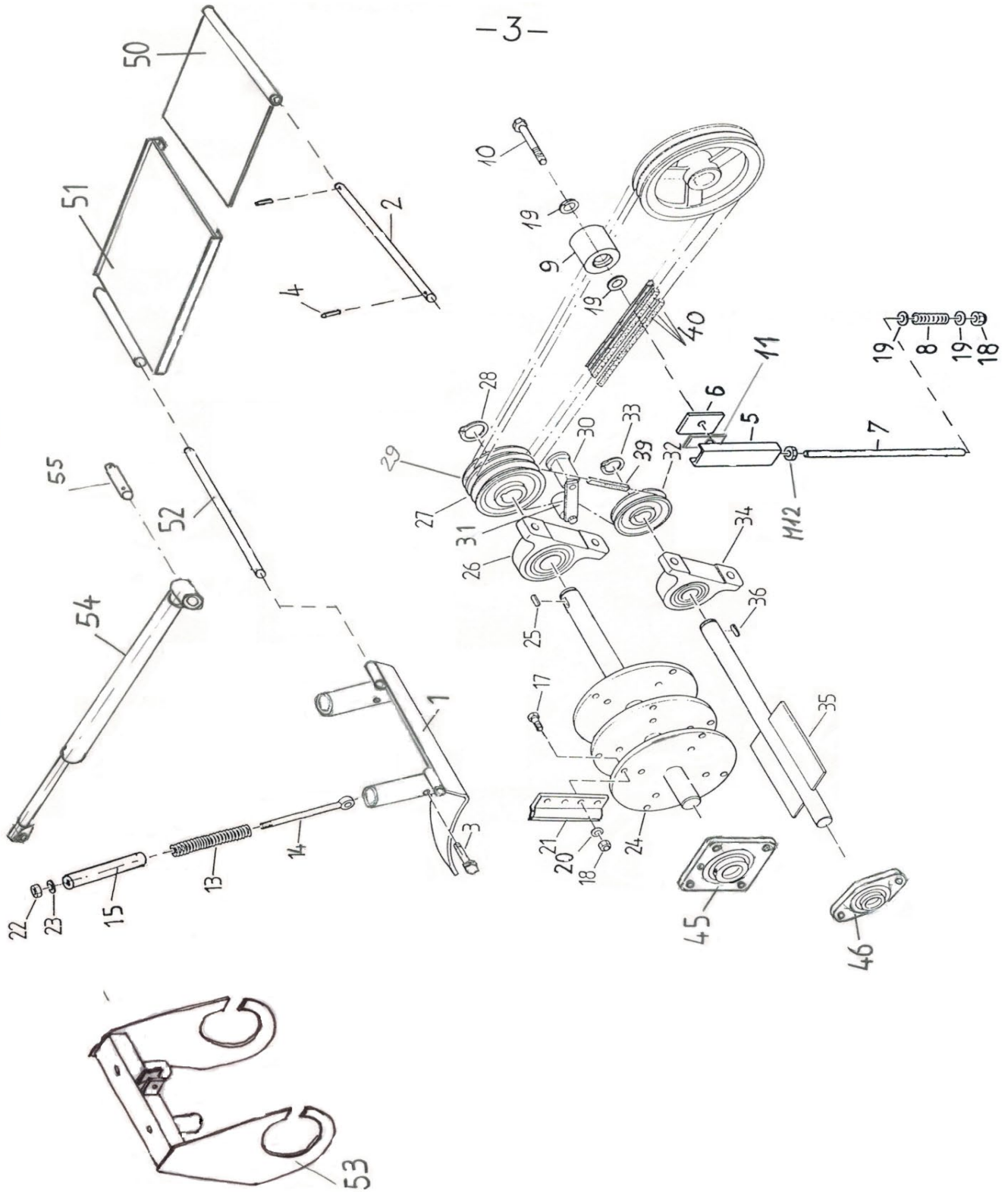
**Star-shaped rotor planetary gear**

Pos.	Order no.	Order text	
1	000.02.001	Hollow shaft	
2	000.02.002	Star-shaped rotor bearing without ball bearing	
no fig.	301.01.018	Felt seal	
3	000.02.003	Ball bearing	6016 Z
4	000.02.004	Circlip	A80
5	000.02.005	Ball bearing	6007 2RS
6	000.02.006	Feather key	10/8x56
7	001.02.700	Drive shaft with sprocket	1" Z 12
8	000.02.008	Feather key	10/8x45
9	777.01.136	Sprocket plate	3/4" Z 81
9a	201.02.900	Hub screwable for sprocket plate (top)	
10	201.02.010	Flanged bearing round	ø35
	001.01.005	Bearing insert	ø35
11	000.02.011	Sprocket	3/4" Z 25
	001.02.110	Sprocket pair f. machine with hydraulic unit	3/4" Z25 3/8" Z60
13	150.01.001	Spacer ring	
14	201.02.014	V-belt pulley (Taperlock)(3-groove) 2.55-4.05	SPA-250-3
	002.02.014	V-belt pulley (Taperlock)(2-groove) 2.55-4.05	SPB-315-2
15	201.02.015	Star-shaped rotor disc 2.05	
	202.02.015	Star-shaped rotor disc 2.55	
	777.36.003	Star-shaped rotor disc milling planetary gear 2.05	
	777.36.002	Star-shaped rotor disc milling planetary gear 2.55	
16	001.02.160	Feed bucket low right Feed bucket low right compl. with rubber	no longer in the product range
17	101.02.170	Feed bucket high right (trailer) Feed bucket high right compl. with rubber (trailer)	no longer in the product range
17	001.02.170	Feed bucket high left (mounted model) Feed bucket high left compl. with rubber (mounted model)	no longer in the product range
18	001.02.180	Feed bucket low left Feed bucket low left compl. with rubber	no longer in the product range
19	000.02.019	Counterweight Counterweight for milling planetary gear	
20	201.02.200	Planetary box	
	202.02.200	Planetary box compl. (box,bearing,shaft,hub,cutter)	
	005.02.200	Planetary box milling planetary gear	
no fig.	000.02.050	Planetary box tensioner	

**Star-shaped rotor planetary gear**

Pos.	Order no.	Order text	
21	202.02.210	Planetary star for straight cutters	
	777.36.000	Milling planetary star	
	203.02.211	Planetary hub screwable for milling planetary star	ø30
	233.02.210	Milling planetary star compl. with hub, teeth, screws	
22	201.02.022	Planetary cutters straight and ground	
	211.02.220	Planetary cutters straight and ground (1 set of 4 w/o screws)	
	203.02.022	Screw set for straight planetary cutters (4xM16+nuts 4xM8)	
	221.02.022	Milling tooth	
	221.02.220	Milling tooth (set of 6 pcs. w/o scr.)	
	203.02.221	Screw set for milling teeth (12 x M10x30 +nuts +washers)	
23	202.02.230	Planetary shaft with sprocket	1" Z 12
	203.02.230	Planetary shaft for milling planetary gear	ø30 1" Z19
24	000.02.024	Bronze bearing	
25	000.02.025	Feather key	8/7x36
26	000.02.026	Circlip	A30
27	201.02.027	Continuous roller chain 2.05	1" ASA 80 30 links
	202.02.027	Continuous roller chain 2.55	1" ASA 80 34 links
	202.02.027	Continuous roller chain for milling planetary gear 2.05	1" ASA 80 34 links
	203.02.027	Continuous roller chain for milling planetary gear 2.55	1" ASA 80 38 links
28	001.02.280	Lubrication pipe	M8
29	000.02.029	Lubrication nipple	
30	000.02.030	Hexagon screw	M12x30
31	000.02.031	Washer	M12
32	000.02.032	Hexagon nut	M12
33	000.03.018	Hexagon locknut	M12
34	000.02.034	Hexagon screw	M12x20
35	000.03.035	Hexagon screw	M12x25
36	201.12.032	Hexagon screw	M16x35
37	000.02.037	Hexagon screw	M12x40
	000.02.480	Shear bolt + locknut f. str. planetary cutter	M 8x20
38	000.02.038	Flexible rubber plate	
39	000.02.039	Counter-plate bent	
40	000.02.040	Lock screw	M8x35
41	000.02.041	Locknut	M8
44	000.05.005	Circlip	A35
45	302.03.014	Hexagon screw	M10x25
46	003.03.102	Washer	M10
47	201.04.165	Hexagon nut	M10

Spreading rotor spreading flap





**Spreading rotor spreading flap**

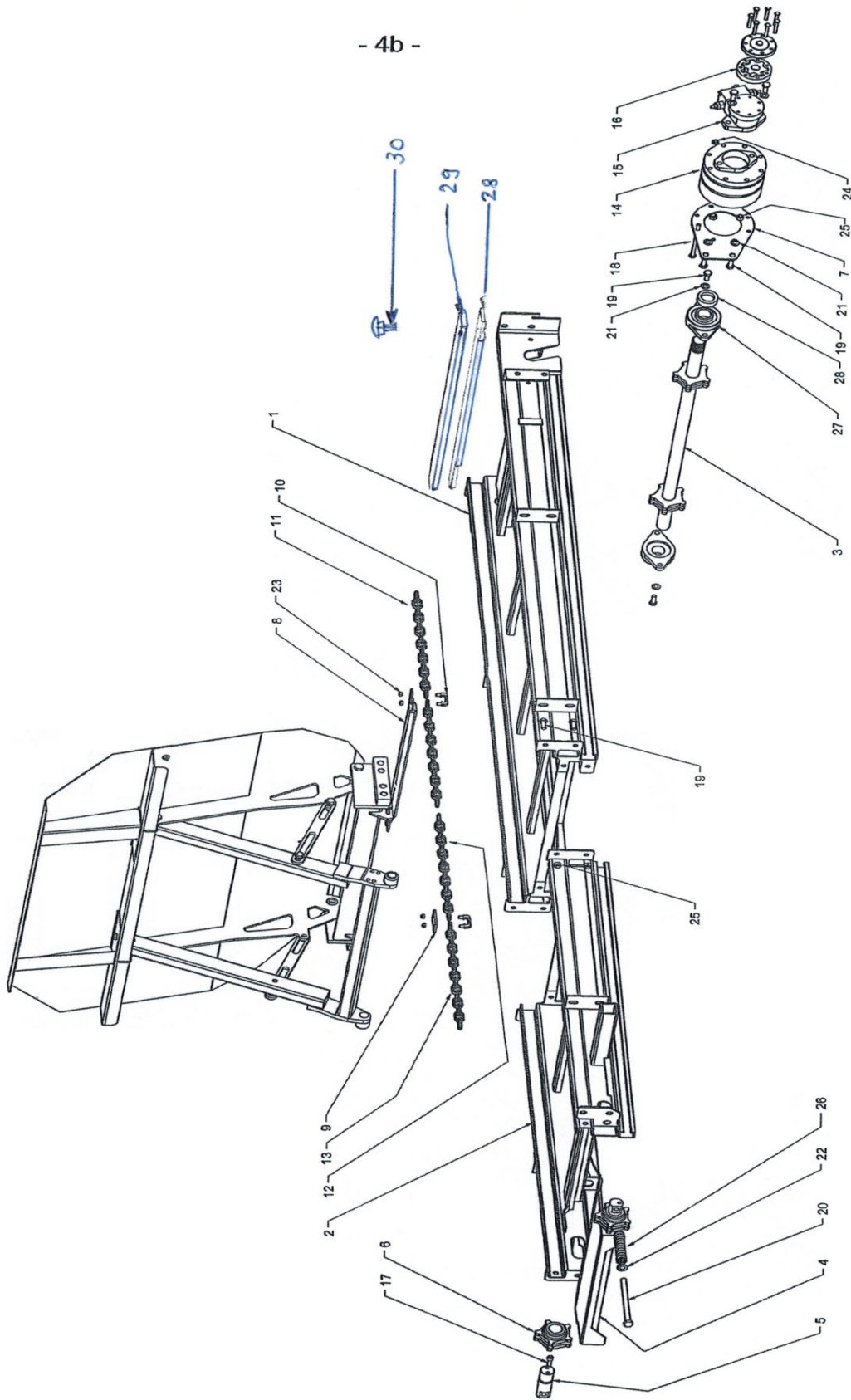
Pos.	Order no.	Order text	
1	102.03.100	Deflector	
2	101.03.002	Mounting shaft telescopic plate	ø15
3	101.03.003	Hexagon screw	M10x60
4	601.04.006	Splint	5x32
5	000.01.021	Slider for tensioner	M12
6	101.03.006	Perforated plate	
7	000.01.022	Threaded rod (specify length)	M12
8	000.01.023	Compression spring for tensioner	3.2/19.2x59
9	102.03.900	V-belt tensioner alu with ball bearing	
10	101.03.010	Hexagon screw	M12x65
11	301.01.015	Spacer plate	
13	001.03.013	Compression springs ( <i>replaces:4/34x141/13.03+rubber spr./15.03</i> )	5/25x125
14	000.03.014	Eyebolt	M10x140
15		Rubber spring	no longer in the product range
17	000.03.017	Hexagon screw qual. 10.9	M12x40
18	000.03.018	Locknut	M12
19	000.02.031	Washer	M12
20	000.03.020	Toothed washer	M12
21	000.03.021	Spreading tines normal	
	002.03.021	Wide spreading tines	
	003.03.210	Spreading tines 1 set of 12 pcs. incl. screws	
	033.03.210	Spreading tines 1 set of 12 pcs. without screws	
	002.03.210	Wide spreading tines 1 set of 8 + 4 pcs. incl. screws	
	022.03.210	Wide spreading tines 1 set of 8 + 4 pcs. without screws	
22	003.03.101	Hexagon locknut	M10
23	003.03.102	Washer	M10
24	102.03.240	Spreading rotor without tines	
25	000.02.006	Feather key	10/8x56
26	000.03.026	Pillow block SW 35	ø35
	001.01.005	Bearing insert for SW 35	ø35
27	202.03.027	V-belt pulley w. taperlock (2-groove)	SPB-160-2
no fig.	000.03.029	V-belt pulley (1-groove) 2.55-3.65	SPA-125-1
28	000.05.005	Circlip	A35
30	000.03.300	ROSTA belt tensioner compl.	
31	102.03.310	ROSTA tensioner with ball bearing	ø30
32	000.03.032	V-belt pulley	SPA-85-1
33	000.03.033	Circlip	A25

### Spreading rotor spreading flap

Pos.	Order no.	Order text	
34	000.03.034	Pillow block SW 25	ø25
	001.03.034	Bearing insert for SW 25	ø25
35	102.03.350	Mini rotor	
36	000.03.036	Feather key	8/7x28
39	101.03.039	V-belt for mini rotor	13x825 Li
40	001.03.040	V-belt for spreading rotor 1.65-2.35	SPA-2057 LW
	005.03.040	V-belt f. spreading rotor Red-Power (with greater power)	SPA-2057 LW
	103.03.040	V-belt for spreading rotor 2.55-4.05	SPB-2360 LW
	103.03.041	Power belt	2/SPB-2360 LW
45	201.03.045	Flanged bearing square	ø35
	001.01.005	Bearing insert	ø35
46	101.09.019	Flanged bearing oval	ø25
	001.03.034	Bearing insert	ø25
50	211.03.500	Telescopic plate (without guide)	
51	211.03.510	Telescopic plate (with guide)	
52	201.03.052	Shaft	15x275
53	211.03.530	Adjustment rocker	
54	201.03.540	Cylinder double acting	
55	602.03.011	Mounting shaft for Vario cylinder	M12x100
no fig.	210.08.008	Bearing washer for rocker	

# Scraper floor

- 4b -

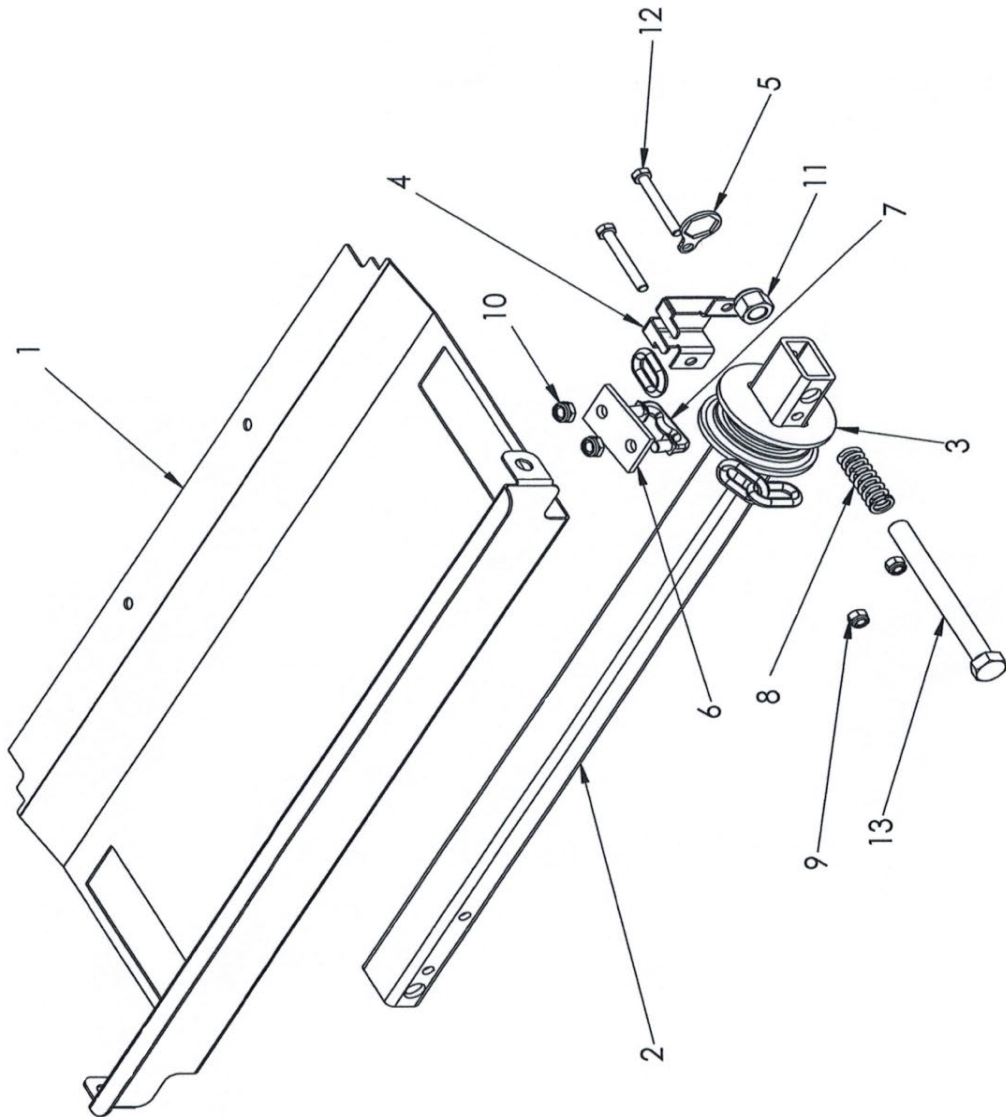


## Scraper floor

Pos.	Order no.	Order text	
1	301.07.100	Base frame	
2	301.07.200	Additional frame	1.65
	302.07.200	Additional frame	2.05/2.55/2.85
	303.07.200	Additional frame	2.15/2.75/3.05
	304.07.200	Additional frame	2.35/3.25/3.55
	305.07.200	Additional frame	3.75/4.05
3	201.04.100	Feed shaft	∅ 40
4		Deflection axle holder	no longer in the product range
	302.07.410	Replacement: New deflection unit (see next illustration)	
5	301.07.005	Deflection axle	
6	201.04.007	Idler sprocket	∅ 40
7	302.07.007	Mounting plate f. gearbox	
8	001.04.010	Scraper floor bar (from autumn 2006)	
9	000.04.009	Flat bar stop	
10	302.07.010	Shackle screwable (from autumn 2006)	M 10
11	000.04.013	Round link chain member	15 links
12	301.07.012	Round link chain member	11 links
	601.04.011	Round link chain member	13 links
13	001.04.015	Round link chain member f. type 1.65	85 links
	302.07.013	Round link chain member f. type 2.05/2.55	87 links
	002.04.015	Round link chain member	97 links
	401.04.015	Round link chain member f. type 2.15/2.75	99 links
	304.07.013	Round link chain member f. type 2.35/3.25	103 links
	601.04.015	Round link chain member f. type 3.75/4.05	119 links
14	205.04.004	Planetary gearbox 2-stage without motor	1.65-2.35
	601.04.021	Planetary gearbox 2-stage without motor	2.55-4.05
15	201.04.004	G-roller motor 50 cm <sup>3</sup> for above gearbox	1.65-2.35
	601.04.022	G-roller motor 100 cm <sup>3</sup> for above gearbox	2.55-4.05
16		Gerotor for G-roller motor 50 cm <sup>3</sup>	no longer in the product range
		Gerotor for G-roller motor 100 cm <sup>3</sup>	no longer in the product range
17	301.07.017	Hexagon socket head screw	M 10 x 25
18	216.07.502	Hexagon screw	M 10 x 140
	601.04.029	Hexagon screw	M 10 x 150
19	000.02.030	Hexagon screw	M 12 x 30
20	601.04.039	Hexagon screw	M 16 x 220
21	000.02.031	Washer DIN 125 A	M 12
22	101.06.016	Washer DIN 125 A	M 16
23	601.04.028	Hexagon locknut steel	M 8
24	003.03.101	Hexagon locknut	M 10
25	000.03.018	Hexagon locknut	M 12
26	201.04.025	Compression spring	
27	000.04.002	Flanged bearing oval	∅ 40
28	201.04.020	Rubber plate	
29	000.04.021	Fixing lug	
30	000.02.040	Lock screw	M 8 x 35
	000.02.041	Hexagon locknut	M 8

**Deflection**

- 4c -

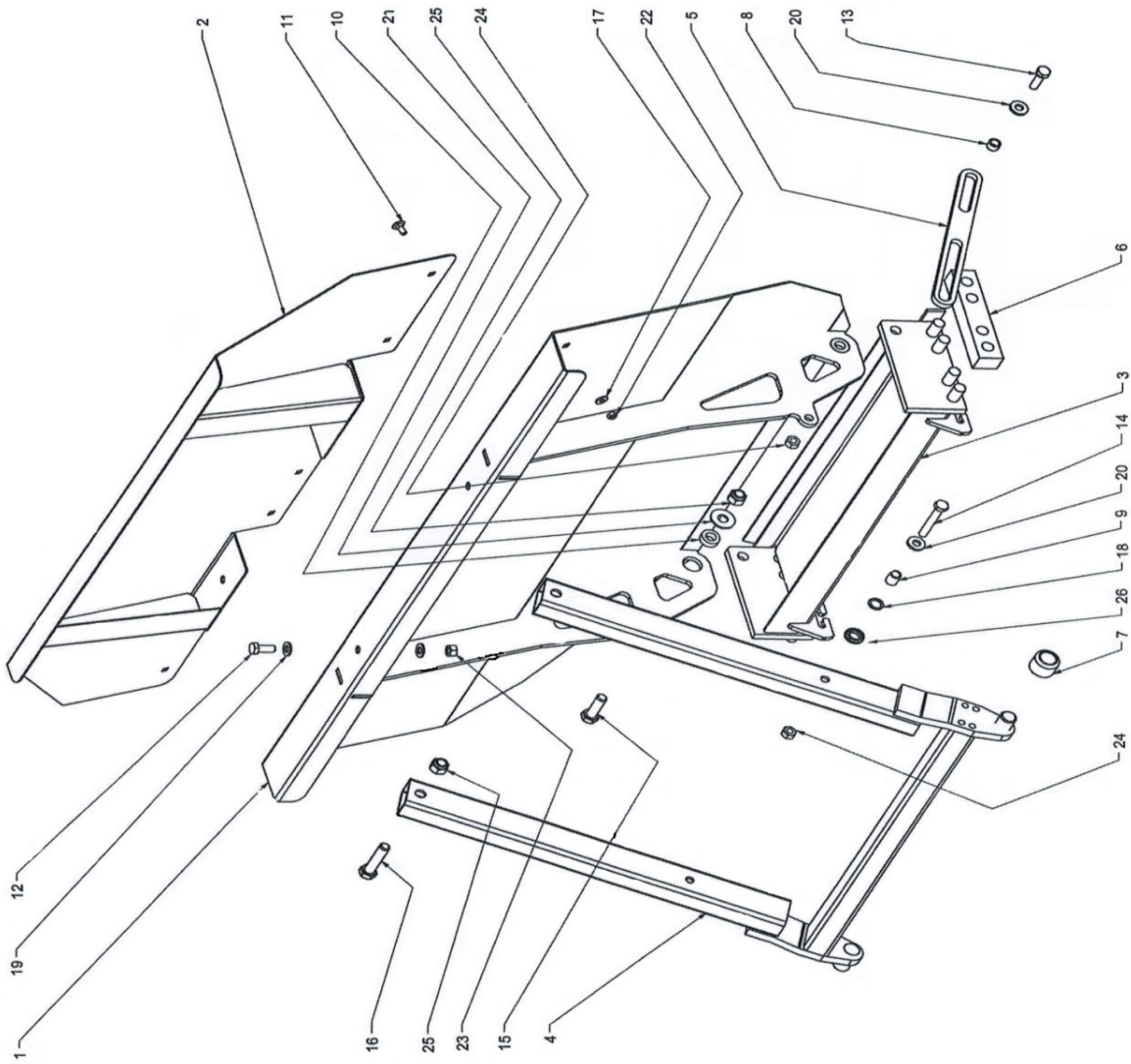


## Deflection

Pos.	Order no.	Order text	
1	777.66.063	Deflection guard	
2	303.07.400	Clamping bar	
3	303.07.006	Deflection slider	
4	303.07.005	Finger guard deflection slider	
5	777.66.065	Lock washer	
6	000.04.009	Flat bar stop	
7	302.07.010	Shackle screwable	
8	201.04.025	Compression spring	6.3x19x90 int.thread 10.75
9	000.02.041	Hexagon locknut	M8
10	601.04.028	Hexagon locknut steel	M10
11	201.04.026	Hexagon locknut	M16
12	201.04.031	Hexagon screw	M8x65
13	601.04.039	Hexagon screw	16x220
	302.07.410	Deflection complete	

# Slide with shear support

- 4d -



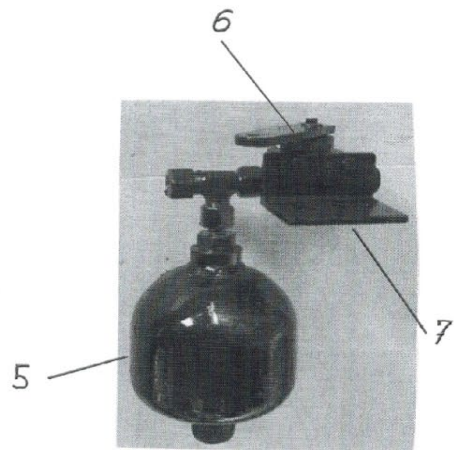
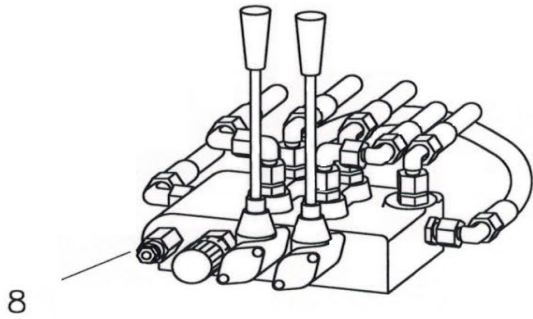
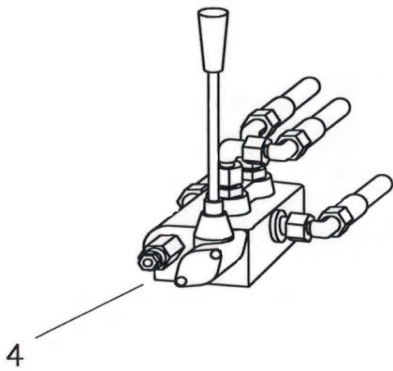
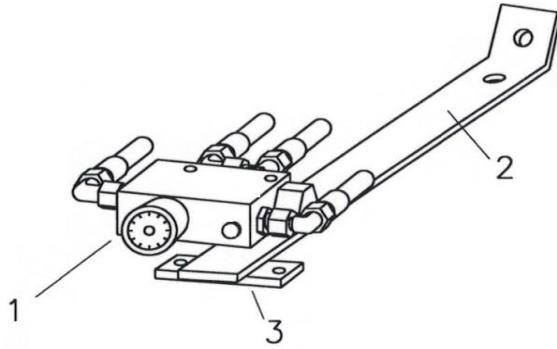
### Slide with shear support

Pos.	Order no.	Order text	
1	302.07.100	Slide	1.65-2.35
	303.07.100	Slide	2.55-4.05
2	306.07.200	Slide attachment	1.65-2.35
	307.07.200	Slide attachment	2.55-4.05
3	301.07.300	Slide base with plastic glide + chain lock	
4	301.07.400	Shear brace	
5	777.66.043	Limitier	
6	002.04.018	Plastic glide long	38 / 30 x 190
7	301.07.007	Roller nylon	ø 40 x 30
8	301.07.008	Spacer bush	ø 18/13 x 11
9	301.07.009	Spacer bush	ø 18/13 x 20
10	301.07.010	Spacer bush	ø 30/17 x 10
11	000.02.040	Lock screw	M 8 x 20
12	000.03.035	Hexagon screw	M 12 x 25
13	601.04.032	Hexagon screw	M 12 x 35
14	301.07.024	Hexagon screw	M 12 x 80
15	601.08.021	Hexagon screw	M 16 x 50
16	205.12.404	Hexagon screw	M 16 x 75
17	201.04.174	Washer heavy-duty	ø 8.4 / 20 x 2
18	301.07.018	Washer special	
19	000.02.031	Washer DIN 125 A	M 12
20	301.03.016	Washer VSM 13908	ø 13 / 28 x 4
21	201.12.031	Toothed washer	M 16
22	000.02.041	Hexagon locknut	M 8
23	000.02.032	Hexagon nut	M 12
24	000.03.018	Hexagon locknut	M 12
25	201.04.026	Hexagon locknut	M 16
26	700.00.347	Rubber ring	
no fig.	700.00.531	Mud flap for slide attachment Frame	



**Hydraulics - actuation elements**

— 6 —



## Hydraulics - actuation elements

Pos.	Order no.	Order text	
1	201.06.001	"Oil-Control" flow controller with screw connections	
	202.06.001	"Oil-Control" flow controller without screw connections	
	202.06.002	Setting cone with adjustment knob	
2	201.06.002	Holder f. flow controller and control block (mounted models)	
3	201.06.003	Clamp bar	
4	202.06.004	Control block f. VARIO w/o screw connections	1x DA
5	201.09.033	Hydraulic accumulator without screw connection	
6	500.06.014	Lever valve for accumulator (stroke limiter)	
7	201.06.007	Support bracket for accumulator	
	201.06.040	Conversion kit for hydraulic accumulator (accumulator, lever valve, fixing, hose)	
8	201.06.008	Control block w. flow controller f. hydr.unit w/o screw connections	2x DA

## Hydraulic hoses

The hydraulic hoses are ordered as follows:

Example:

Overall length:	2900 mm
Connections:	1st side 0° / 2nd side 45°
From where to where?	Coupling to feed
Machine type:	2.5 H VARIO
Chassis no.:	3150
Truck type:	Muli 500

Price:	Basic price per hose incl. fittings:	CHF 30.90
	Length surcharge per cm length	CHF 0.30

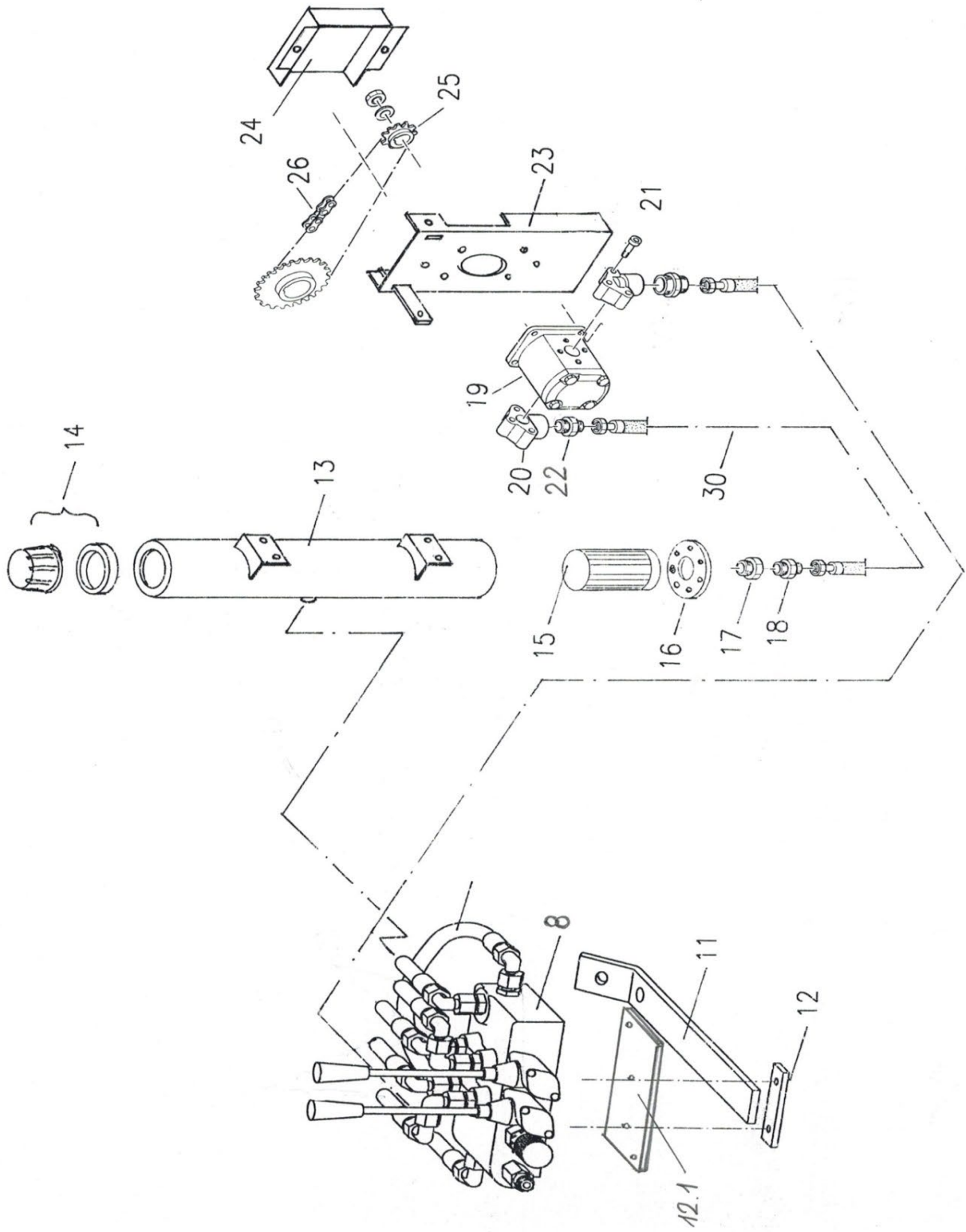
Price for above example:

Basic price: incl. fittings	CHF 30.90
Length surcharge: 290x 0.30 =	<u>CHF 87.00</u>
Total:	CHF 117.90

000.05.020	Hydraulic socket (female piece) with dust cap
000.05.021	Hydraulic connector (male piece) with dust cap

Hydraulic unit

-6Ha-

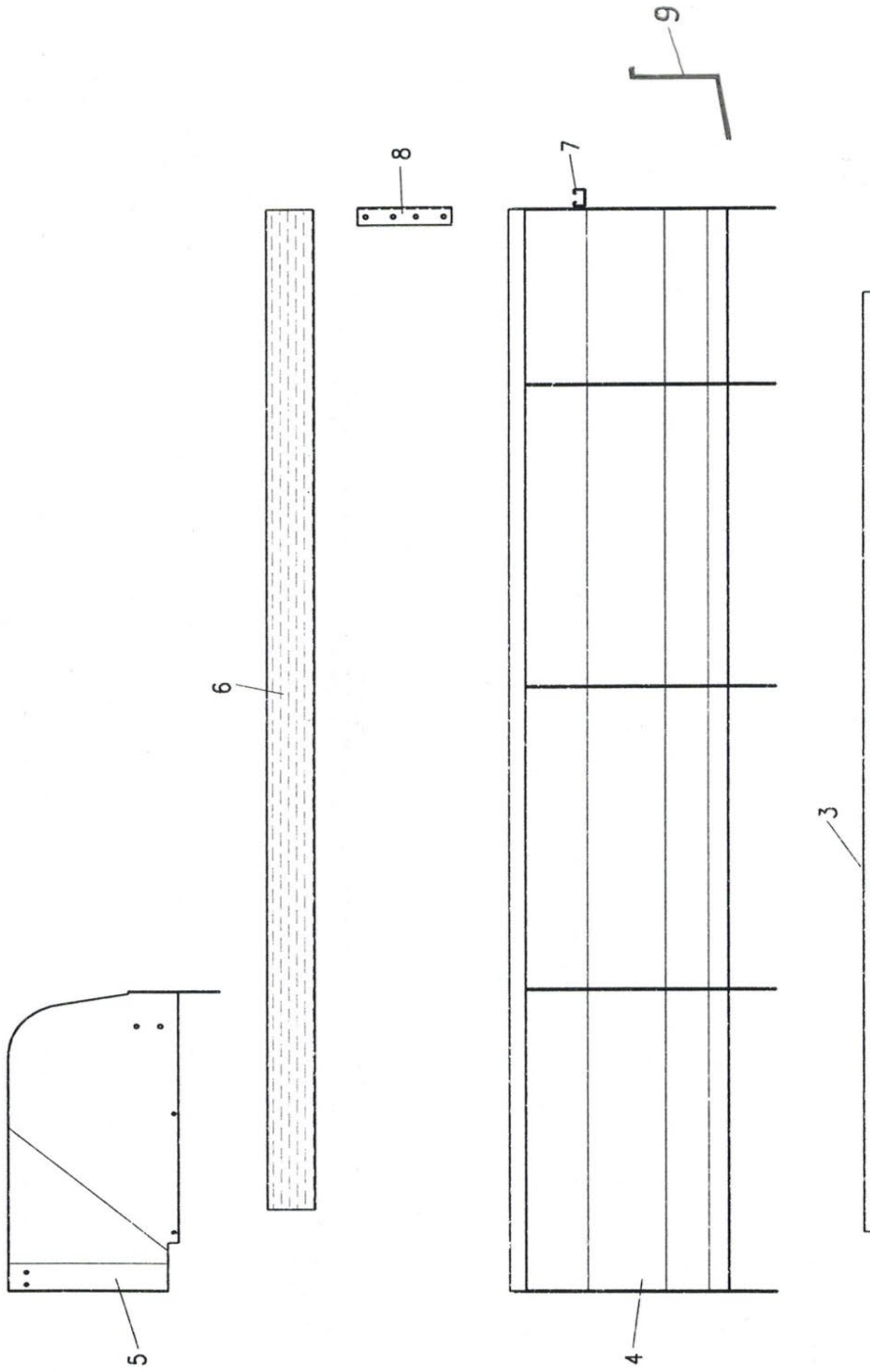


### Hydraulic unit

Pos.	Order no.	Order text	
8	201.06.008	Control block with flow controller f. hydr.unit w/o screw connectic	2x DA
11	201.06.002	Holder f. flow controller and control block (mounted models)	
12	201.06.003	Clamp bar	
12.1	201.06.004	Mounting plate for control block	
13	201.06.130	Oil tank round	
14	001.06.051	Filler cap compl.	
15	201.06.015	Suction filter	
16	201.06.016	Flange for suction filter	
17	201.06.017	Reducing fitting	1" / 1/2"
18	201.06.018	Screw-in fitting	GE 18 1/2"
19	201.06.019	Gear pump clockwise f. mounted spreader	
	202.06.019	Gear pump anticlockwise f. trailer spreader	
20	201.06.020	Connection angle	1/2"
21	201.06.021	Allen screw for connection angle	
22	201.06.022	Screw-in fitting	GE 18 1/2"
23	201.06.023	Pump bracket	
24	201.06.024	Guard plate for pump	
25	000.06.015	Sprocket conical	3/8" Z17
26	201.06.026	Roller chain for VARIO with closing element	3/8" 123 links
	204.06.026	Chain lock straight	3/8"
30	201.06.030	Hydraulic hose tank pump	

Tank

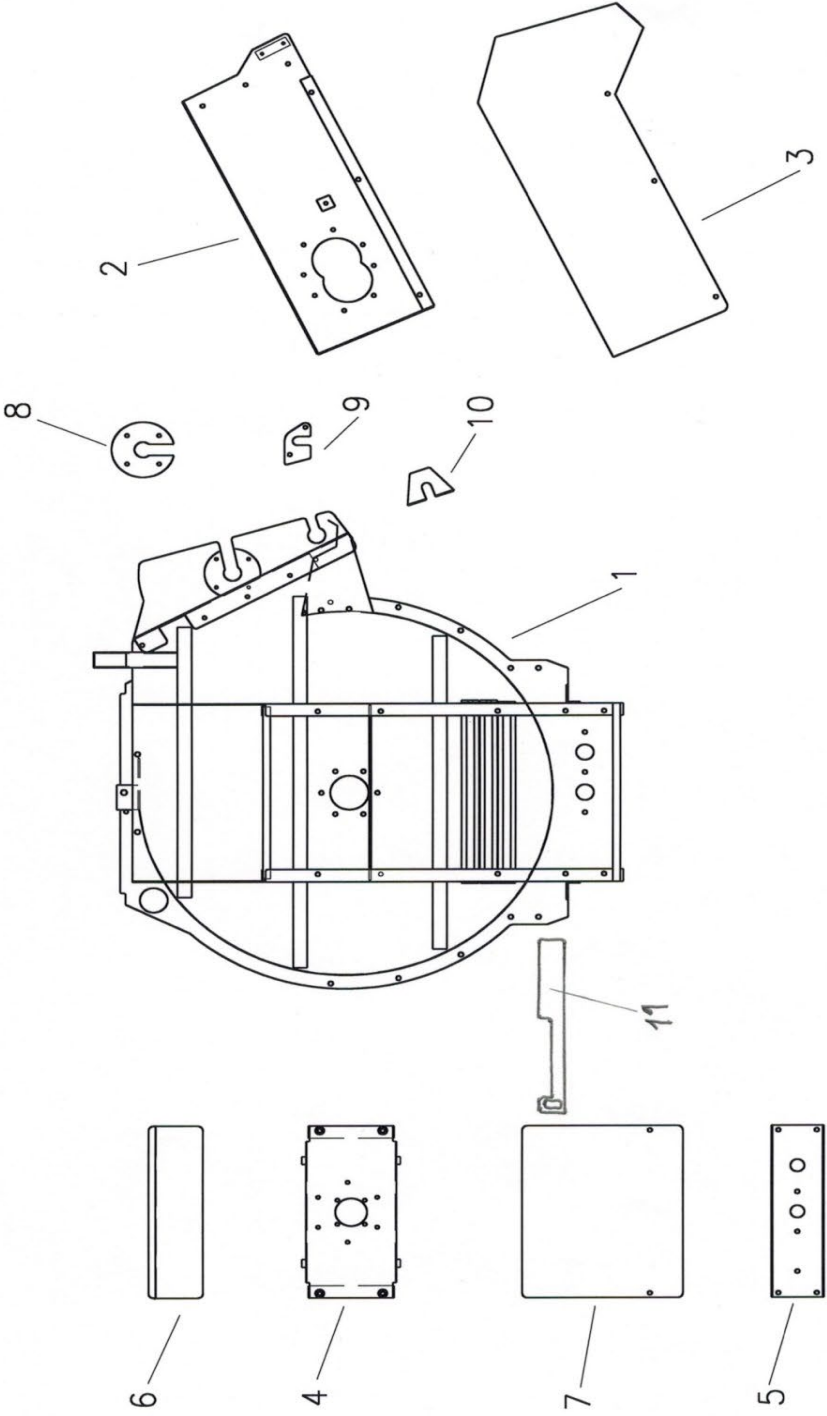
- 7 -



## Tank

Pos.	Order no.	Order text
		Floor plates
3	201.07.003	Type 1.65
	202.07.003	Type 2.05 / 2.55 / 2.85
	203.07.003	Type 2.15 / 2.75 / 3.05
	204.07.003	Type 2.35 / 3.25 / 3.55
	205.07.003	Type 3.75 / 4.05
		Side plates
4	201.07.400	Type 1.65*
	202.07.400	Type 2.05*
	203.07.400	Type 2.15*
	204.07.400	Type 2.35*
	205.07.400	Type 2.55*
	206.07.400	Type 2.75*
	207.07.400	Type 3.25*
	208.07.400	Type 3.65*
		Side plates for enlarged tank
	209.07.400	Type 2.85*
	210.07.400	Type 3.05*
	211.07.400	Type 3.55*
	212.07.400	Type 4.05*
		* Specify whether left or right in direction of travel
5	201.07.005	Access guard left in direction of travel 1.65-3.65
	202.07.005	Access guard right in direction of travel 1.65-3.65
	777.66.020	Access guard left in direction of travel 2.55 - 4.05
	777.66.021	Access guard right in direction of travel 2.55 - 4.05
6	201.07.006	Wood strips types 2.05, 2.15, 2.55, 2.75
	202.07.006	Wood strips types 2.35, 3.25,3.55
	203.07.006	Wood strips for enlarged tank types 2.85, 3.05
	204.07.006	Wood strips for enlarged tank types 3.55, 4.05
7	201.07.007	Crosspiece types 1.65, 2.05, 2.15, 2.35
	202.07.007	Crosspiece types 2.55, 2.75, 3.25, 3.75
	203.07.007	Crosspiece types 2.85, 3.05, 3.55, 4.05
8	201.07.008	Wood strip angle for normal tank
	601.06.017	Wood strip angle for enlarged tank

**Spreading housing**



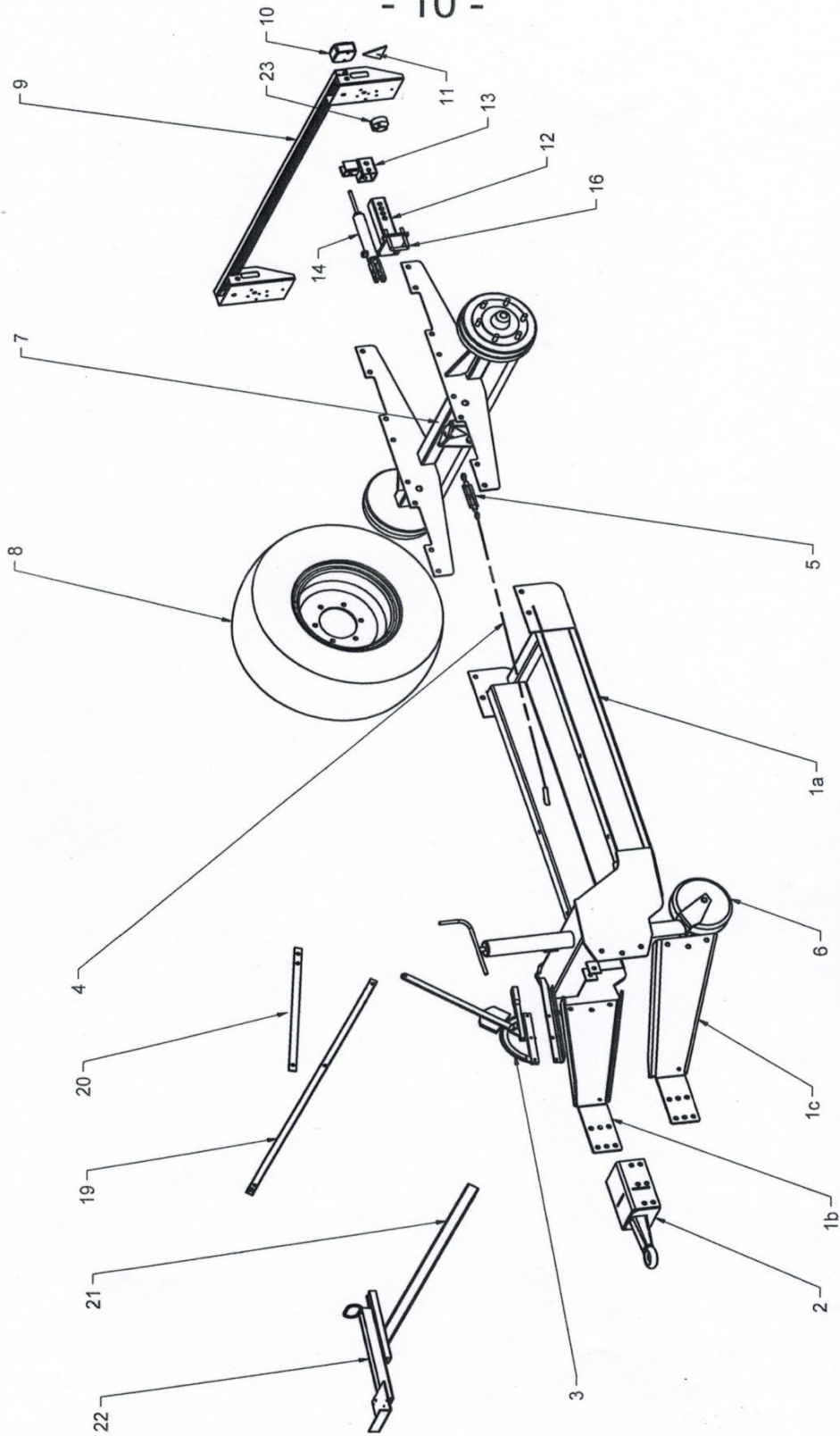
### Spreading housing

Pos.	Order no.	Order text
1	210.08.100	Spreading housing 1.65 - 2.35 mounted
	211.08.100	Spreading housing 2.15 - 2.35 trailer
	312.08.100	Spreading housing 2.55 - 3.25 mounted
	313.08.100	Spreading housing 2.55 - 4.05 trailer
2	210.08.200	V-belt box 1.65 to 3.25 mounted model
	211.08.200	V-belt box 2.15 to 4.05 trailer model
3	210.08.003	V-belt guard mounted model
	211.08.003	V-belt guard trailer model
4	210.08.400	Cross bar top
5	210.08.005	Cross bar bottom
6	210.08.006	Box guard small
7	210.08.007	Box guard large 1.65 to 2.35
	211.08.007	Box guard large 2.55 to 4.05
8	210.08.008	Bearing cap for rocker
9	210.08.009	Guard plate rear
10	210.08.010	Guard plate front
11	210.08.011	Cleaning wiper
	210.08.500	VARIO spreading housing compl.mount.without guard plates type 2.05 mounted
	212.08.500	VARIO spreading housing compl.mount.without guard plates type 2.55 mounted
	211.08.500	VARIO spreading housing compl.mount.without guard plates type 2.15 trailer
	213.08.500	VARIO spreading housing compl.mount.without guard plates type 2.55 trailer



**Parts for trailer**

- 10 -

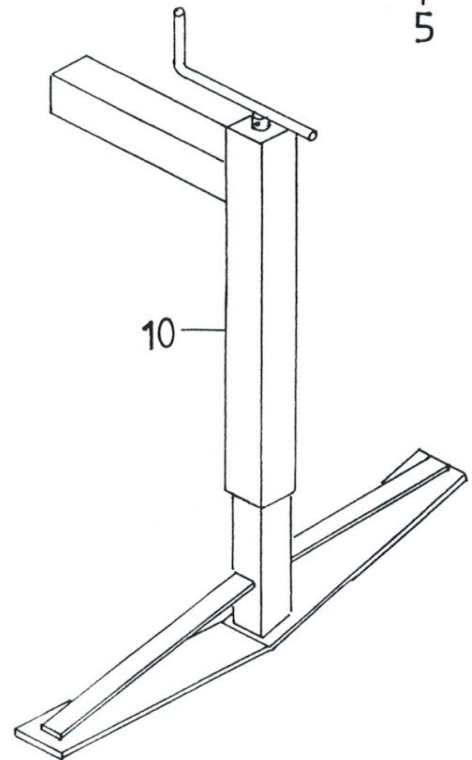
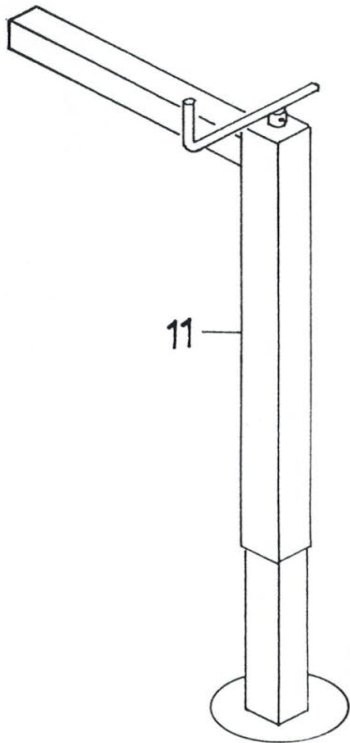
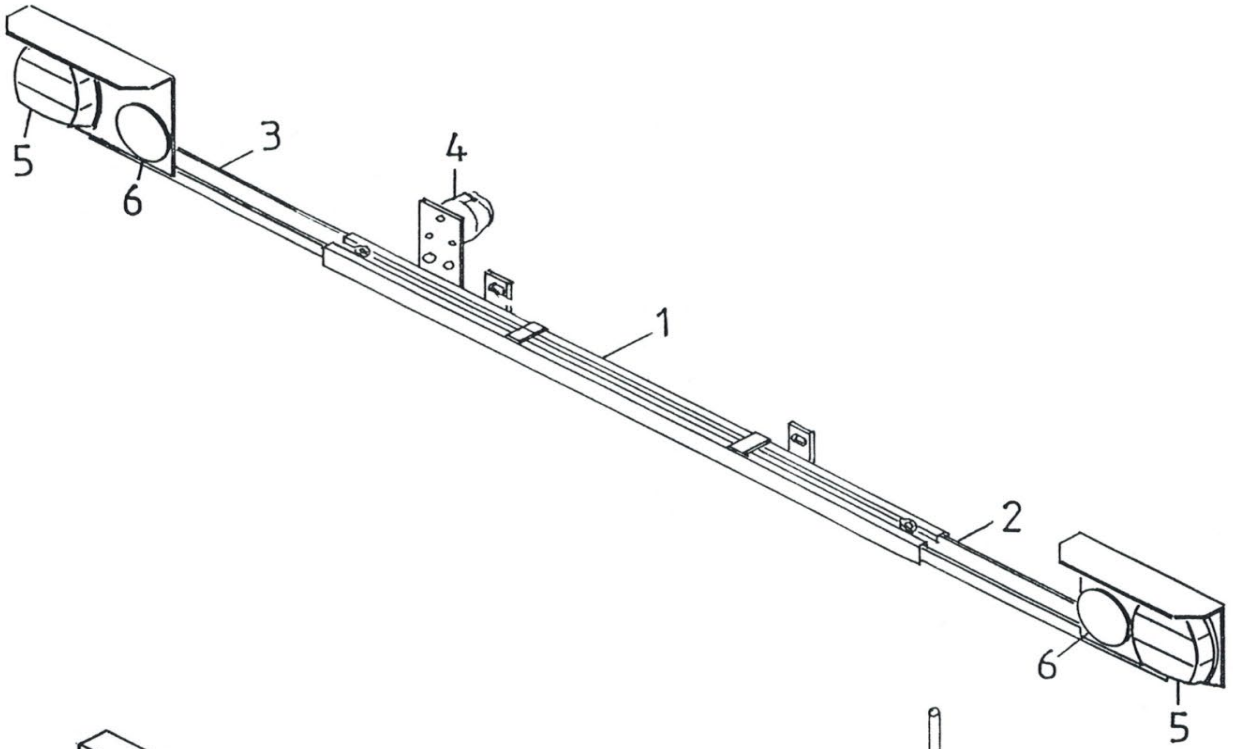


## Parts for trailer

Pos.	Order no.	Order text	
1a	110.10.100	Towbar - chassis for VARIO trailer	
1b	110.10.101	Towbar cheek top/bottom Vario	
1c	110.10.102	Towbar cheek top/bottom Vario	
2	101.10.250	Drawbar eye fixed	ø40
	101.10.300	Drawbar eye	ø50
3	101.10.003	"Farmer-Stop" brake lever	
4	101.10.004	Brake cable for "Farmer-Stop" please specify length incl. brackets	
	102.10.004	Brake cable (cable and sheath) for switchable brake please specify length	
5	101.10.005	Adjusting spindle for brake cable	
6	101.10.006	Jockey wheel with guide tube and nut	
	102.10.006	Threaded spindle for jockey wheel	
	103.10.006	Thrust bearing for jockey wheel	
	104.10.006	Crank for jockey wheel	
7	101.10.700	Brake axle track 1600 mm f. types 2.0 to 4.0	ready to install
8	101.10.008	Wheel complete 11.5 / 80x15.3 AW (normal profile)	
	102.10.008	Wheel complete 11.5 / 80x15.3 AS (lug profile)	
	103.10.008	Wheel complete 15.0 / 55x17 AW (normal profile)	
	104.10.008	Wheel complete 15.0 / 55x17 AS (lug profile)	
	105.10.008	Wheel complete 19.0 / 45x17 AW (normal profile)	
	106.10.008	Wheel complete 19.0 / 45x17 AS (lug profile)	
9	101.10.900	Lighting holder unmounted	
	004.08.009	Rear light	BBS 123/5
	005.08.009	Glass for rear light	BBS 123/5
	103.10.010	Rear light complete	FP 10 AJ.BA
	104.10.010	Glass for rear light	FP 10 AJ.BA
	003.08.009	Reflector red triangular	
12	101.10.012	Console for hydr. brake	
13	101.10.013	Adjustment support for hydr. brake	
14	101.10.014	Brake cylinder	
15	101.10.015	Tension spring for brake cylinder	
16	101.10.016	Mounting bracket for hydr. brake	
17	101.10.017	Hose for hydr. brake	
18	101.10.018	Spec. hydraulic coupling for hydr. brake	
19	101.10.019	C-rail for flow controller holder	
20	101.10.020	Flat iron for C-rail for flow controller holder	
21	301.08.100	Control block bar	
22	601.08.900	Control block plate with U-iron	
23	000.11.004	Aluminium socket	7-pin

Rear lights and supports

- 9 -


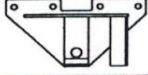
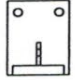
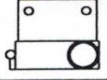

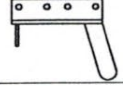

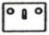
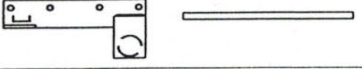

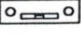

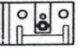

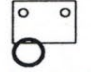
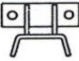

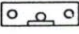
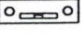

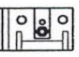
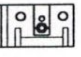
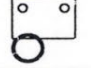
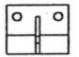


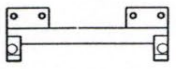
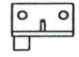
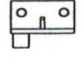



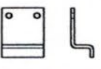
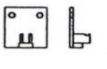
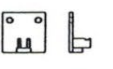
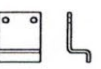



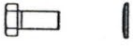

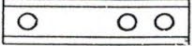


### Rear lights and supports

Pos.	Order no.	Order text	
1	102.11.100	Lighting holder unmounted	
	103.11.100	Lighting holder unmounted (from construction year approx. 2014)	
2	000.11.200	Lamp holder right (to construction year approx. 2013)	
	001.11.200	Lamp holder right (from construction year approx. 2014)	
3	000.11.300	Lamp holder left (to construction year approx. 2013)	
	001.11.300	Lamp holder left (from construction year approx. 2014)	
4	000.11.004	Socket	71/7
5	004.08.009	Rear lights	BBS 123/5
	005.08.009	Glass for rear light	BBS 123/5
	103.10.010	Rear light complete	FP 10 AJ.BA
	104.10.010	Glass for rear light	FP 10 AJ.BA
6	000.11.006	Reflector round red	
11	500.11.001	Support foot for mounted spreader without cross tube	
12	500.11.200	Cross tube for support foot	40/40x980
	500.11.300	Cross tube bent for support foot left	60/60x400
	500.11.400	Cross tube bent for support foot right	60/60x400
		Spindle for portal support	no longer in the product range

## Mounting elements for truck

- 12 -

No	TRANSPORTER	VORN	MITTE	HINTEN
1	AEBI			
2	BUCHER 1800 Granit BUCHER Caron			
3	BUCHER Zenit 4000			
4	LINDNER Unitrac			
5	LINDNER 3500 bis Jg.85			
6	LINDNER 3500 ab Jg.85 LINDNER 3500 Lüönd			
7	MULI Typ 30/33/50 Typ 400 bis 600 Typ 440 bis 970			
8	MULI Typ 40			
9	RAPID AC 1350/1750 AC 1900 AC 2500			
10	RAPID AC 1400/1800 SCHILTRAC 9036			
11	RAPID AC 1800-26 AC 2000-26 AC 2500-28/30 AC 3000-28/30			
12	SCHILTRAC 432 bis 9075 SCHILTER 3500 CARARO T80			
13	SCHILTER 1300 alt SCHILTER 1600			
14	SCHILTER 1300 neu SCHILTER 2200			
15	SCHILTER 1800			
30-32	Befestigungsteile			

## Mounting elements for truck

Pos.	Order no.	Order text	
1	201.12.100	AEBI - Mounting elements	Set incl. fixing
	202.12.100	AEBI - Mounting elements	Set without fixing
	203.12.100	AEBI - Cross bar front	
	204.12.100	AEBI - Upper part rear left	
	205.12.100	AEBI - Upper part rear right	
	201.12.165	AEBI TP 98/450 comb. - Mounting elements	Set incl. fixing
	202.12.165	AEBI TP 98/450 comb. - Mounting elements	Set without fixing
	203.12.165	AEBI TP 98/450 comb. - Cross bar front	
	204.12.100	AEBI TP 98/450 comb. - Upper part rear left	
	205.12.100	AEBI TP 98/450 comb. - Upper part rear right	
2	201.12.200	BUCHER 1800 - Mounting elements	Set incl. fixing
	202.12.200	BUCHER 1800 - Mounting elements	Set without fixing
	203.12.200	BUCHER 1800 - Mounting element front	
	204.12.200	BUCHER 1800 - Mounting element rear right	
	205.12.200	BUCHER 1800 - Mounting element rear left	
3	201.12.250	BUCHER ZENIT - Mounting elements	Set incl. fixing
	202.12.250	BUCHER ZENIT - Mounting elements	Set without fixing
	203.12.250	BUCHER ZENIT - Mounting element front right	
	204.12.250	BUCHER ZENIT - Mounting element front left	
	205.12.250	BUCHER ZENIT - Mounting element rear right	
	206.12.250	BUCHER ZENIT - Mounting element rear left	
	201.12.800	CARON Series 900	Set incl. fixing
	202.12.800	CARON Series 900	Set without fixing
	203.12.800	CARON Series 900 - front left	
	204.12.800	CARON Series 900 - front right	
	205.12.800	CARON Series 900 - centre	
	206.12.800	CARON Series 900 - rear	
4	201.12.300	LINDNER UNITRAC - Mounting elements	Set incl. fixing
	202.12.300	LINDNER UNITRAC - Mounting elements	Set without fixing
	203.12.300	LINDNER UNITRAC - Mounting element front right	
	204.12.300	LINDNER UNITRAC - Mounting element front left	
	205.12.300	LINDNER UNITRAC - Mounting element centre	
	206.12.300	LINDNER UNITRAC - Mounting element rear right	
	207.12.300	LINDNER UNITRAC - Mounting element rear left	
5	201.12.330	LINDNER 3500 old - Mounting elements	Set incl. fixing
	202.12.330	LINDNER 3500 old - Mounting elements	Set without fixing
	203.12.330	LINDNER 3500 old - Mounting element front	
	204.12.330	LINDNER 3500 old - Mounting element centre	
	205.12.330	LINDNER 3500 old - Mounting element rear	
6	206.12.330	LINDNER 3500 new (from year 85)	Set incl. fixing
	207.12.330	LINDNER 3500 new (from year 85)	Set without fixing
	208.12.330	LINDNER 3500 new (from year 85)	Mounting element front and centre left
	209.12.330	LINDNER 3500 new (from year 85)	Mounting element front and centre right
	210.12.330	LINDNER 3500 new (from year 85)	Mounting element rear right
	211.12.330	LINDNER 3500 new (from year 85)	Mounting element rear left

## Mounting elements for truck

Pos.	Order no.	Order text	
7	201.12.400	MULI 30-970 - Mounting elements	Set incl. fixing
	202.12.400	MULI 30-970 - Mounting elements	Set without fixing
	203.12.400	MULI 30-970 - Mounting element front	
	204.12.400	MULI 30-970 - Mounting element rear upper part	
	205.12.400	MULI 30-970 - Screw bracket rear	
	206.12.400	MULI T8/T9 Rear axle spr. - Mounting elements	Set incl. fixing
	207.12.400	MULI T8/T9 Rear axle spr. - Mounting elements	Set without fixing
	203.12.400	MULI T8/T9 Rear axle spr. - Mounting element front	
	204.12.400	MULI T8/T9 Rear axle spr. - Mounting element rear upper part	
	208.12.400	MULI T8/T9 Rear axle spr. - Screw bracket rear	
8	201.12.450	MULI 40 - Mounting elements	Set incl. fixing
	202.12.450	MULI 40 - Mounting elements	Set without fixing
	203.12.450	MULI 40 - Mounting element front	
	204.12.450	MULI 40 - Mounting element centre	
	205.12.450	MULI 40 - Mounting element rear	
9	201.12.500	RAPID 1750 / LINDNER Lüönd - Mounting elements	Set incl. fixing
	202.12.500	RAPID 1750 / LINDNER Lüönd - Mounting elements	Set without fixing
	203.12.500	RAPID 1750 / LINDNER Lüönd - Mounting element front / centre right	
	204.12.500	RAPID 1750 / LINDNER Lüönd - Mounting elements front / centre left	
	205.12.500	RAPID 1750 / LINDNER Lüönd - Mounting element rear right	
	206.12.500	RAPID 1750 / LINDNER Lüönd - Mounting element rear left	
10	201.12.530	MULI 1400 - Mounting elements	Set incl. fixing
	202.12.530	MULI 1400 - Mounting elements	Set without fixing
	203.12.530	RAPID 1400 - Mounting element front	
	204.12.530	RAPID 1400 - Mounting element rear right	
	205.12.530	RAPID 1400 - Mounting element rear left	
11	201.12.560	RAPID 2000-26 - Mounting elements	Set incl. fixing
	202.12.560	RAPID 2000-26 - Mounting elements	Set without fixing
	203.12.560	RAPID 2000-26 - Mounting element front	
	204.12.560	RAPID 2000-26 - Mounting element rear	
12	201.12.600	SCHILTRAC - Mounting elements	Set incl. fixing
	202.12.600	SCHILTRAC - Mounting elements	Set without fixing
	203.12.600	SCHILTRAC - Mounting element front / centre left	
	204.12.600	SCHILTRAC - Mounting element front / centre right	
	205.12.600	SCHILTRAC - Mounting element rear	
13	201.12.700	SCHILTER 1600 - Mounting elements	Set incl. fixing
	202.12.700	SCHILTER 1600 - Mounting elements	Set without fixing
	203.12.700	SCHILTER 1600 - Mounting element front / centre	
	204.12.700	SCHILTER 1600 - Mounting element rear	
14	201.12.730	SCHILTER 2200 - Mounting elements	Set incl. fixing
	202.12.730	SCHILTER 2200 - Mounting elements	Set without fixing
	203.12.730	SCHILTER 2200 - Mounting element front / centre	
	204.12.730	SCHILTER 2200 - Mounting element rear	

### Mounting elements for truck

Pos.	Order no.	Order text	
15	201.12.760	SCHILTER 1800 - Mounting elements	Set incl. fixing
	202.12.760	SCHILTER 1800 - Mounting elements	Set without fixing
	203.12.760	SCHILTER 1800 - Mounting element	front / centre
	204.12.760	SCHILTER 1800 - Mounting element	rear
30	201.12.030	Counter plate	M16
31	201.12.031	Toothed washer	M16
32	201.12.032	Hexagon screw	M16x35
	201.12.033	Halfen head fixing screw for C-profile	M16x40
	601.04.040	Hexagon nut	M16
	201.12.034	Threaded plate for C-profile	M12



## Self-adhesive signs

- 13 -

## SELBSTKLEBESCHILDER

1.13.01

### SCHMIER- UND WARTUNGSPLAN

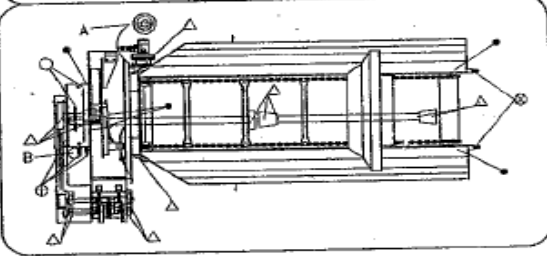
- Schmiernippel täglich mit Universalfett schmieren
- ▲ Schmiernippel wöchentlich mit Universalfett schmieren
- Rollenketten wöchentlich mit Kettenöl schmieren
- A Getriebeöl alle 2 Jahre wechseln 0,8l Motorex BF 100
- B Hydrauliköl alle 2 Jahre wechseln 8L Motorex EP 032
- ⊗ Kratzbodenspannung täglich kontrollieren
- ⊕ Rollenketten- und Keilriemenspannung täglich kontrollieren

### PLAN DE LUBRIFICATION ET D'ENTRETIEN

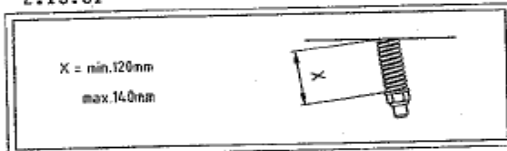
- Lubrifier chaque jour le graisseur en utilisant de la graisse universelle
- ▲ Lubrifier chaque semaine le graisseur en utilisant de la graisse universelle
- Lubrifier tous les semaines les chaînes en utilisant de l'huile pour chaîne
- A Remplacer l'huile d'engrenage tous les 2 ans. Motorex BF 100 0,8l
- B Remplacer l'huile hydraulique tous les 2 ans. Motorex EP 032 8l
- ⊗ Contrôler chaque jour la tension du fond de ractage
- ⊕ Contrôler chaque jour la tension des chaînes et de la courroie trapézoïdale

### SCHEMA DI LUBRIFICAZIONE E MANUTENZIONE

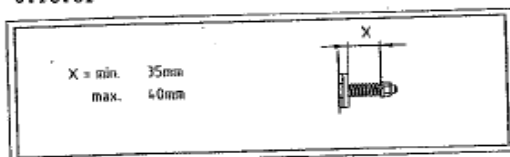
- Lubrificare ogni giorno il nipplo ingrassatore con grasso universale
- ▲ Lubrificare ogni settimana il nipplo ingrassatore con grasso universale
- Lubrificare ogni settimana la catena con olio per catena
- A Sostituire l'olio del cambio ogni 2 anni - 0,8L Motorex BF 100
- B Sostituire l'olio idraulico ogni 2 anni - 8L Motorex EP 032
- ⊗ Controllare ogni giorno la tensione della catena tappeto
- ⊕ Controllare ogni giorno la tensione della catena e della cinghia trapezoidale



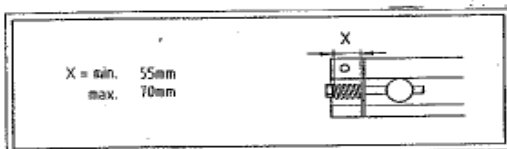
2.13.01



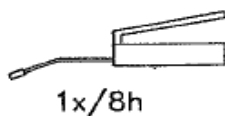
3.13.01



4.13.01



5.13.01



20.13.02



10.13.02



13.13.02



16.13.02



17.13.02



## Self-adhesive signs

001.13.011

**SCHMIER- UND WARTUNGSPLAN**

- Schmiernippel täglich mit Universalfett schmieren
- ▲ Schmiernippel wöchentlich mit Universalfett schmieren
- Rollenketten wöchentlich mit Kettenöl schmieren
- A** Getriebeöl alle 2 Jahre wechseln 0.8L Motorex BF 100
- B** Hydrauliköl alle 2 Jahre wechseln 8L Motorex EP 032
- ⊗ Kratzbodenspannung täglich kontrollieren
- ⊕ Rollenketten- und Keilriemenspannung täglich kontrollieren

**PLAN DE LUBRIFICATION ET D'ENTRETIEN**

- Lubrifier chaque jour le graisseur en utilisant de la graisse universelle
- ▲ Lubrifier chaque semaine le graisseur en utilisant de la graisse universelle
- Lubrifier tous les semaines les chaînes en utilisant de l'huile pour chaîne
- A** Remplacer l'huile d'engrenage tous les 2 ans. Motorex BF 100 0.8l
- B** Remplacer l'huile hydraulique tous les 2 ans. Motorex EP 032 8l
- ⊗ Controler chaque jour la tension du fond de raclage
- ⊕ Controler chaque jour la tension des chaînes et de la courroie trapézoïdale

**SCHEMA DI LUBRIFICAZIONE E MANUTENZIONE**

- Lubrificare ogni giorno il nipplo ingrassatore con grasso universale
- ▲ Lubrificare ogni settimana il nipplo ingrassatore con grasso universale
- Lubrificare ogni settimana le catene con olio per catena
- A** Sostituire l'olio del cambio ogni 2 anni - 0,8L Motorex BF 100
- B** Sostituire l'olio idraulico ogni 2 anni - 8L Motorex BF 032
- ⊗ Controllare ogni giorno la tensione del catena tappeto
- ⊕ Controllare ogni giorno la tensione della catena e della cinghia trapezoidale

Pos. Order no.

Order text

001.13.001	Lubrication plan mounted model
001.13.011	Lubrication plan trailer model
001.13.002	Notice belt tensioner
001.13.003	Notice chain tensioner
001.13.004	Notice scraper floor tension
001.13.005	Lubrication
002.13.010	1x danger, 2x warning
002.13.013	3x danger
002.13.016	1x warning
002.13.017	3x warning
002.13.020	Max. 600 rpm
002.13.021	GAFNER large clear
002.13.022	vario