

GAFNER Manure and Compost Spreader

SPARE PARTS LIST

4000 - 5000 mounted and trailer models ser. no. 1281 - 6383

Copyright ©

This customer documentation is published by GAFNER Maschinenbau AG,
CH-8637 Laupen-Wald (Tel. 055 246 34 15 / FAX 055 246 51 70)

All rights reserved, particularly the rights of reproduction, distribution and translation.

No part of this work may be reproduced in any form (printing, photocopying, microfilm or any other process) or stored, processed, reproduced or distributed using electronic systems, without written authorisation.

Technical modifications

GAFNER reserves the right to make technical modifications to the product or to this document at any time without separate notification.

Table of contents

Chapter		Page
1	Drive unit	3 - 7
2	Star-shaped rotor - planetary gearbox	8 - 10
3	Spreading rotor - spreading flap	11 - 13
4	Scraper floor	14 - 19
4c	New deflection	20 - 21
5	Hydraulic hoses	22
6	Hydraulics - actuation elements	23 - 26
7	Tank and spreading housing	27 - 30
8	Parts for trailer	31 - 32
9	Rear lights and supports	33 - 34
12	Mounting elements for truck	35 - 38

Ordering example for spare parts

Gafner type: e.g. Type 2.0 VARIO

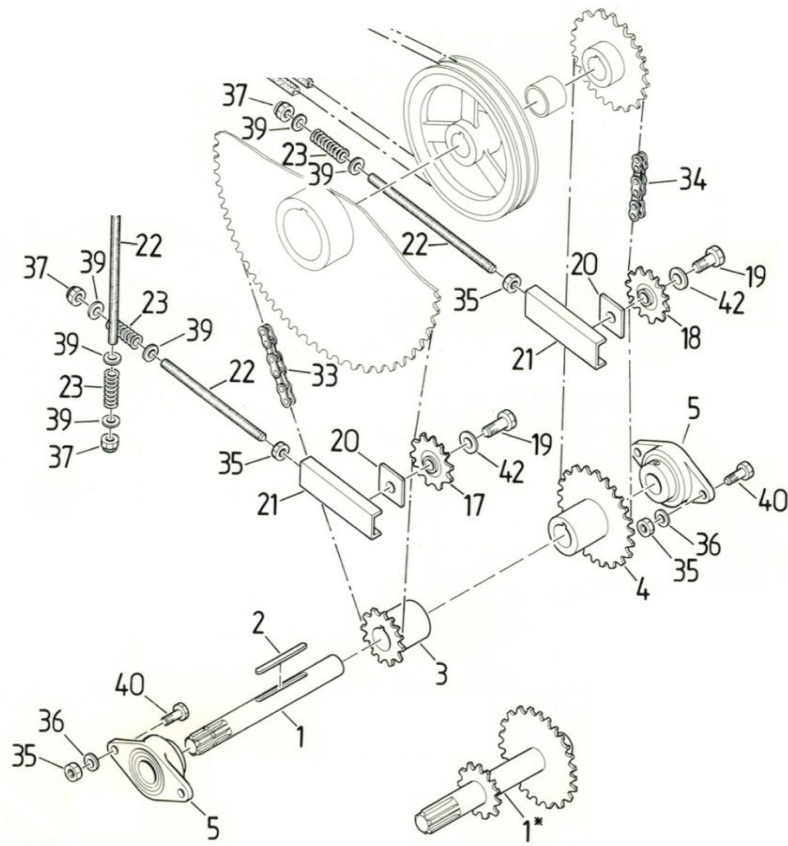
Chassis number: e.g. No. 4480

Spare part number: e.g. No. 201.01.100

Order text: e.g. Drive shaft VARIO mounted model

Quantity: e.g. 1 pc.

Drive from no. 740 - 1700

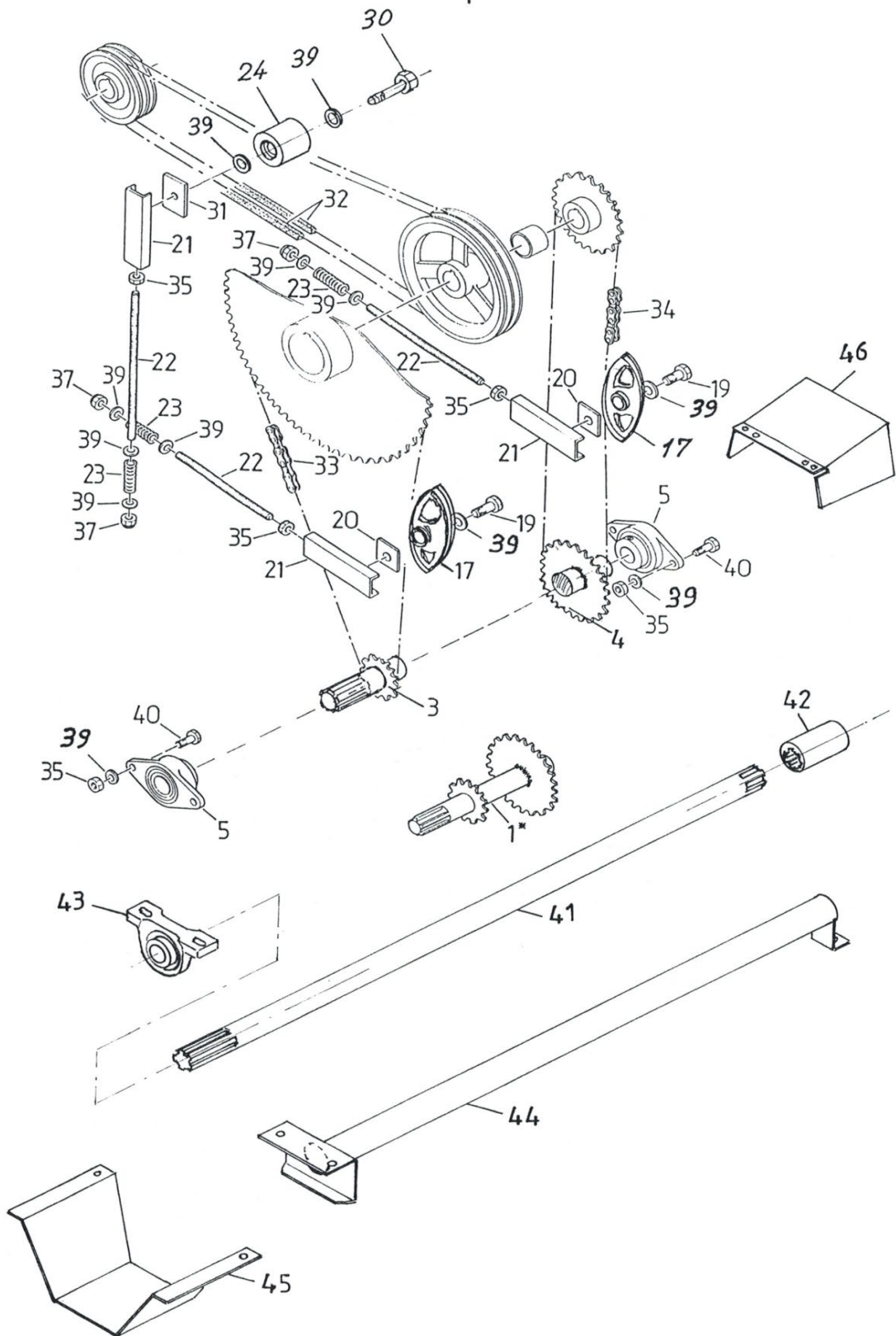


Drive from no. 740 - 1700

Pos.	Order no.	Order text	
1-4	001.01.100	Drive shaft mounted - normal mach.	3/4"
	001.01.200	Drive shaft trailer - normal mach.	3/4"
5	000.02.010	Flanged bearing oval	ø35
	001.01.005	Bearing insert	ø35
17+18	000.18.002	Idler sprocket	3/4" Z 15
	000.01.017	Chain rider	3/4"
19	601.01.045	Hexagon screw	M12x55
20	000.01.020	Perforated plate	M12 thread
21	000.01.021	Slider for tensioner	
22	000.01.022	Threaded rod (specify length)	M12
23	000.01.023	Compression spring	3,2/19,2x59
24-30	102.03.900	V-belt tensioner alu with ball bearing	
33	001.01.033	Roller chain 1500/1800/1800L	3/4"ASA60 115 links
	002.01.033	Roller chain 2400/3100/4000 long	3/4"ASA60 123 links
	003.01.033	Roller chain 4000 short/5000	3/4"ASA60 153 links
34	001.01.034	Roller chain 1500/1800/1800L	3/4"ASA60 87 links
	002.01.034	Roller chain 2400/3100/4000 long	3/4"ASA60 95 links
	003.01.034	Roller chain 4000 short/5000	3/4"ASA60 109 links
no fig.	004.01.034	Chain lock straight	3/4"
	005.01.034	Chain lock bent	3/4"
35	000.02.032	Hexagon nut	M12
36	000.02.031	Washer	M12
37	000.03.018	Locknut	M12
38	000.03.017	Hexagon screw qual. 10.9	M12x40
39	000.02.031	Washer	M12
40	000.02.037	Hexagon screw	M12x40
41	301.02.024	Hexagon socket countersunk head screw	M12x40
42	101.06.016	Washer	M16

Drive from no. 1701 - 6383

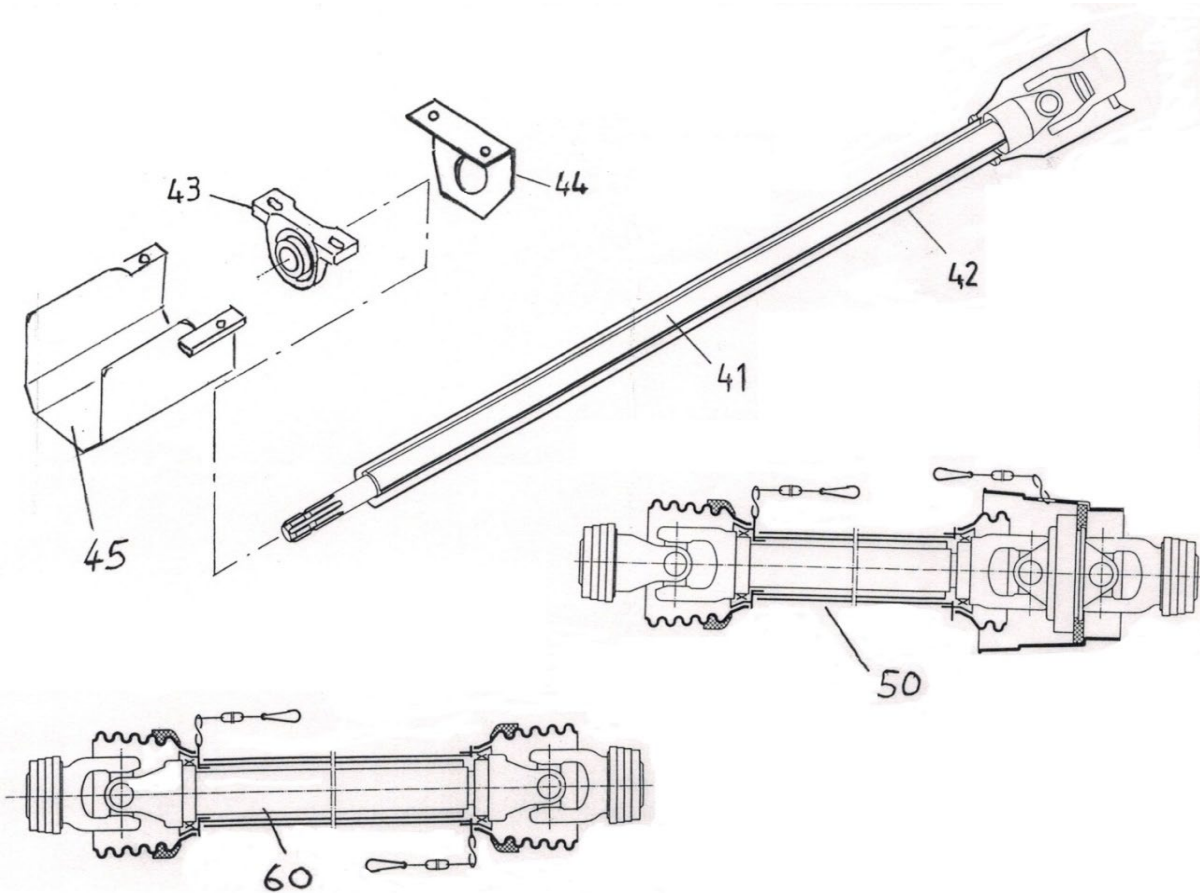
- 1 -



Drive unit from no. 1701 - 6383

Pos.	Order no.	Order text	
1-4	001.01.100	Drive shaft mounted - normal mach.	3/4"
	001.01.200	Drive shaft trailer - normal mach.	3/4"
5	000.02.010	Flanged bearing oval	ø35
	001.01.005	Bearing insert	ø35
17	000.01.017	Chain rider	3/4"
19	201.03.043	Hexagon screw	M12x50
20	000.01.020	Perforated plate	
21	000.01.021	Slider for tensioner	M12 thread
22	000.01.022	Threaded rod (specify length)	M12
23	000.01.023	Compression spring	3,2/19,2x59
24	102.03.900	V-belt tensioner alu with ball bearing	
30	101.03.010	Hexagon screw	M12x65
31	101.03.006	Perforated plate for V-belt tensioner	
32		V-belt see figure page 11	
33	001.01.033	Roller chain 1500/1800/1800L	3/4"ASA60 115 links
	002.01.033	Roller chain 2400/3100	3/4"ASA60 123 links
	003.01.033	Roller chain 4000/5000	3/4"ASA60 153 links
34	001.01.034	Roller chain 1500/1800/1800L	3/4"ASA60 87 links
	002.01.034	Roller chain 2400/3100	3/4"ASA60 95 links
	003.01.034	Roller chain 4000/5000	3/4"ASA60 109 links
no fig.	004.01.034	Chain lock straight	3/4"
	005.01.034	Chain lock bent	3/4"
35	000.02.032	Hexagon nut	M12
37	000.03.018	Hexagon locknut	M12
39	000.02.031	Washer	M12
40	000.02.030	Hexagon screw	M12x30

Drive extension



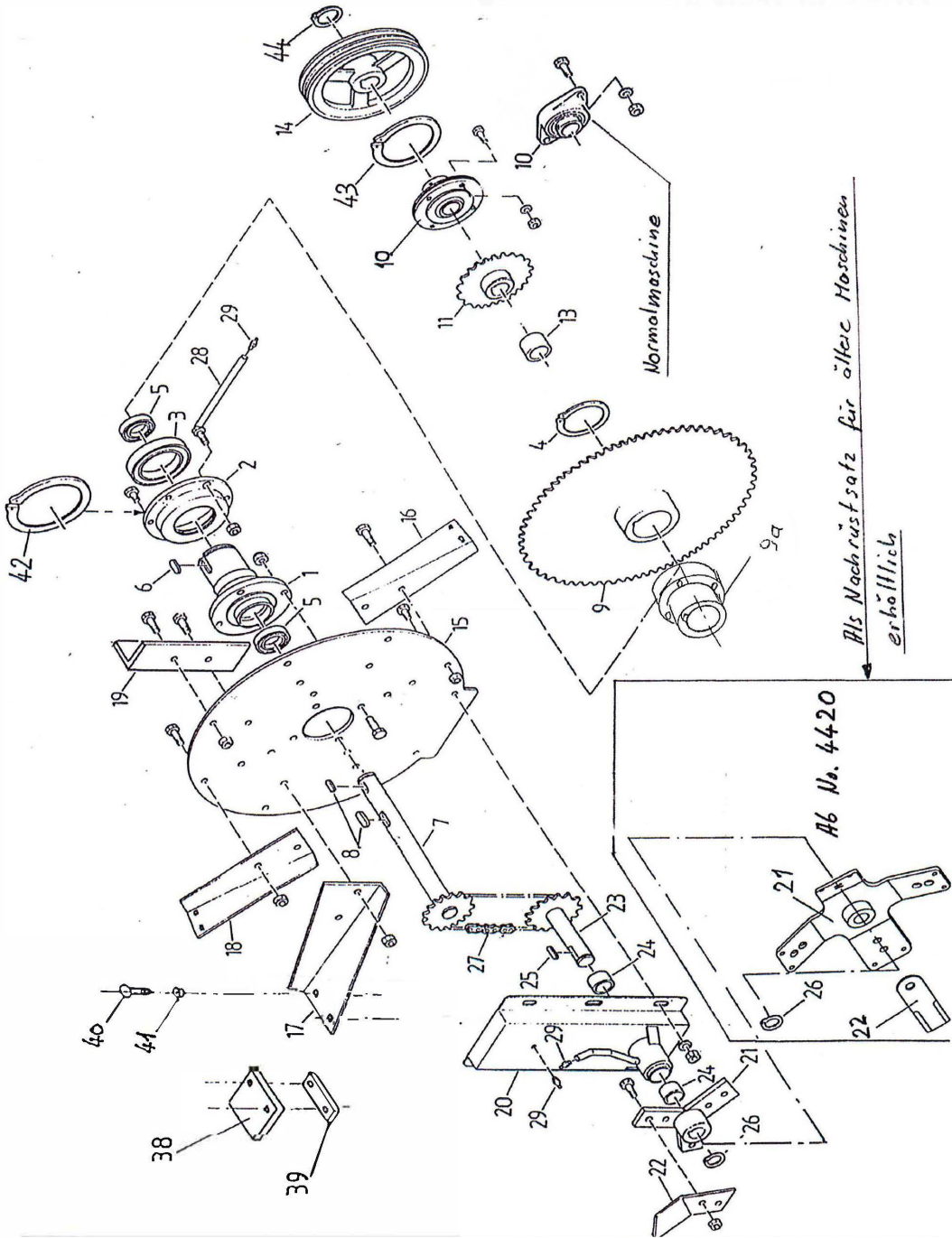
Drive extension old version up to no. 4278

41		Shaft extension fixed without shear bolts	no longer in the product range
42	000.01.042	Splined sleeve	
43	000.03.026	Pillow block	ø35
	001.01.005	Bearing insert	ø35
45	000.01.045	PTO shaft guard plate mounted	
46	000.01.046	PTO shaft guard plate trailer (2 pcs)	

Drive extension new version

41	000.01.052	Shaft extension extendable without shear bolts	
44	201.01.044	Angle plate with hole for shaft extension	
45	201.01.451	Sheet-metal protective cap f. mounted model	
50	000.01.050	Wide-angle PTO shaft f. trailer model with shear bolts	
	000.01.051	Wide-angle PTO shaft f. trailer model	
60	000.01.060	PTO shaft w. guard overall length 75 cm with shear bolts	
	000.02.060	PTO shaft w. guard overall length 108 cm	
	000.03.060	PTO shaft w. guard overall length 140 cm	
	000.03.065	Hexagon shear bolt qual. 10.9 for PTO shaft	M8x50
	000.03.066	Hexagon shear bolt qual. 8.8 for PTO shaft	M10x50

Star-shaped rotor planetary gear



Star-shaped rotor planetary gear

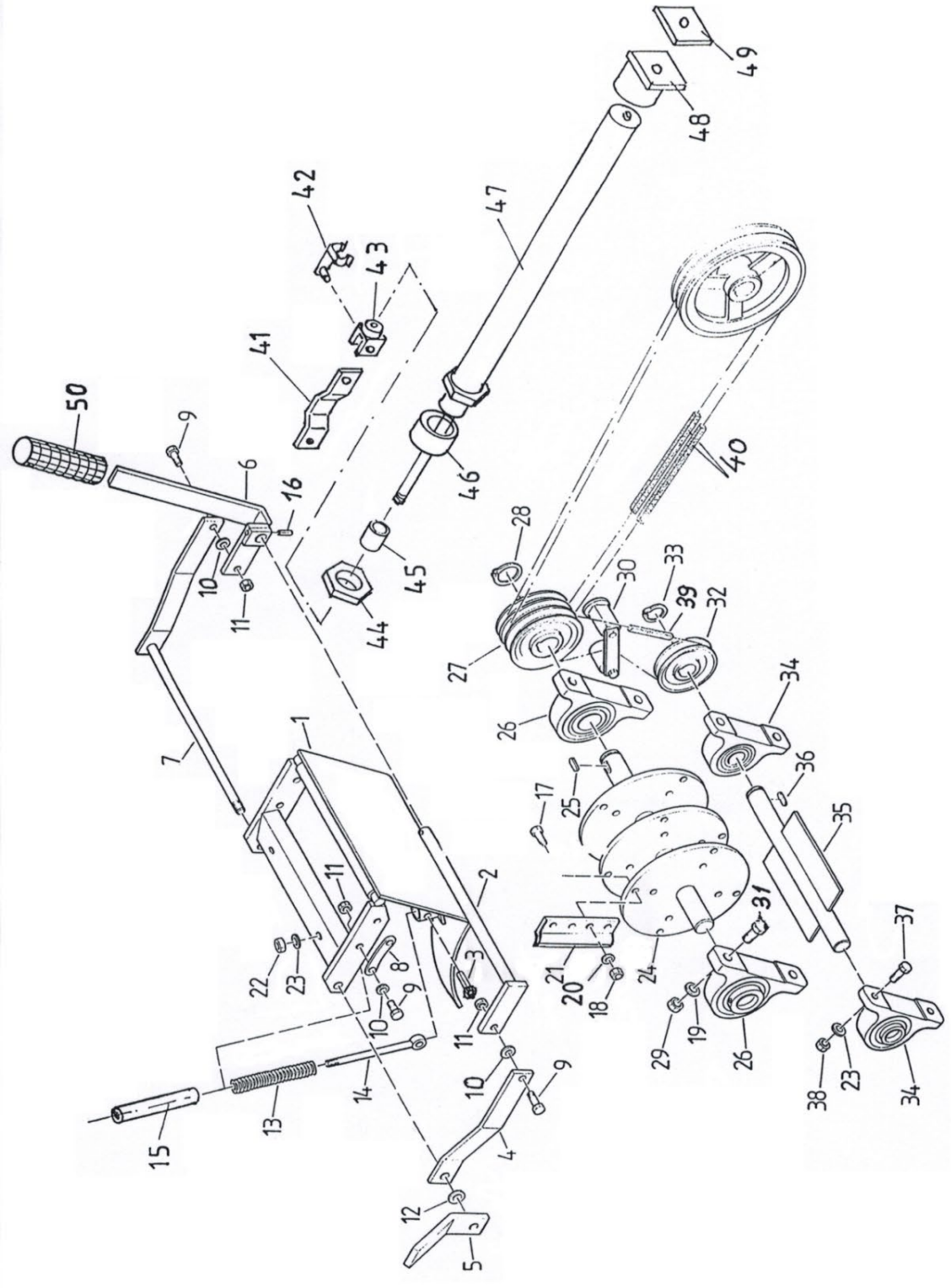
Pos.	Order no.	Order text	
1	000.02.001	Hollow shaft	
2	000.02.002	Star-shaped rotor bearing without ball bearing	
no fig.	301.01.018	Felt seal	
3	000.02.003	Ball bearing	6016
4	000.02.004	Circlip	A80
5	000.02.005	Ball bearing	6007
6	000.02.006	Feather key	10/8x56
7	000.02.700	Drive shaft with sprocket	3/4" Z 15
	000.01.003	Sprocket plate for drive shaft	3/4" Z 15
8	000.02.008	Feather key	10/8x45
9	777.01.136	Sprocket plate 1500-3100	3/4" Z 81
9a	201.02.900	Hub screwable for sprocket plate (top)	
9	002.02.009	Sprocket 4000/5000	3/4" Z 100
9a	201.02.900	Hub screwable for sprocket plate (top)	
10	000.02.010	Flanged bearing	ø35
	001.01.005	Bearing insert	ø35
11	000.02.011	Sprocket	3/4" Z 25
11+12	001.02.110	Sprocket pair f. machine with hydraulic unit	3/4" Z25 3/8" Z60
12			
13	150.01.001	Spacer ring	
14	001.02.014	V-belt pulley (2-groove) with Taperlock up to no. 3614	SPA-250-2
	201.02.014	V-belt pulley w. Taperlock (3-groove) from no. 3615	SPA-250-3
	002.02.014	V-belt pulley w. Taperlock (2-groove) for 4000/5000	SPB-315-2
15	001.02.015	Star-shaped rotor disc 1500-1800L	
	002.02.015	Star-shaped rotor disc 2400/3100	
	003.02.015	Star-shaped rotor disc 4000/5000	
16		Feed bucket low right	no longer in the product range
16	001.02.160	Feed bucket low right compl. with rubber	
17		Feed bucket high right (trailer)	no longer in the product range
17	101.02.170	Feed bucket high right compl. with rubber (trailer)	
17		Feed bucket high left (mounted model)	no longer in the product range
17	001.02.170	Feed bucket high left compl. with rubber (mounted model)	
18		Feed bucket low left	no longer in the product range
18	001.02.180	Feed bucket low left compl. with rubber	
19	000.02.019	Counterweight	

Star-shaped rotor planetary gear

Pos.	Order no.	Order text	
20	001.02.200	Planetary box 1800, 2400	
	003.02.200	Planetary box compl. (box,bearing,shaft,hub,cutter)	
	002.02.200	Planetary box 4000-5000	
	004.02.200	Planetary box compl. for 4000/5000 (box,bearing,shaft,hub,cutter)	
21	001.02.210	Planetary star for straight cutters (welded)	
22		Planetary cutter mounted model, bent	no longer in the product range
		Planetary cutter mounted model, bent (1 set w/o scr.)	no longer in the product range
		Planetary cutter trailer, bent	no longer in the product range
		Planetary cutter trailer, bent (1 set w/o scr.)	no longer in the product range
36		Screw set for bent planetary cutters (6 scr.+nuts)	no longer in the product range
	222.02.220	Retrofit kit f. ground planetary cutters 4 (hub, cutter, scr.)	
	201.02.022	Planetary cutters straight and ground	
	211.02.220	Planetary cutters straight and ground (1 set of 4 w/o screws)	
	203.02.022	Screw set for straight planetary cutters (4xM16+nuts 4xM8)	
36	201.12.032	Hexagon screw	M16x35
	000.02.480	Shear bolt f. straight planetary cutters + locknut	M8x20
23	000.02.230	Planetary shaft with sprocket	3/4" Z 15
24	000.02.024	Bronze bearing	
25	000.02.025	Feather key	8/7x36
26	000.02.026	Circlip	A30
27	001.02.027	Continuous roller chain 1500/1800/1800L	3/4"ASA60 38 links
	002.02.027	Continuous roller chain 2400 / 3100	3/4"ASA60 40 links
	003.02.027	Continuous roller chain 4000/5000	3/4"ASA60 50 links
28	001.02.280	Lubrication pipe 1500-3100	
	002.02.280	Lubrication pipe 4000/5000	
29	000.02.029	Lubrication nipple	
30	000.02.030	Hexagon screw	M12x30
31	000.02.031	Washer	M12
32	000.02.032	Hexagon nut	M12
33	000.03.018	Hexagon locknut	M12
34	000.02.034	Hexagon screw	M12x20
35	000.03.035	Hexagon screw	M12x25
36	601.04.032	Hexagon screw	M12x35
37	000.02.037	Hexagon screw	M12x40
38	000.02.038	Flexible rubber plate	
39	000.02.039	Counter-plate bent	
	001.02.039	Counterplate old (straight)	
40	000.02.040	Lock screw	M8x35
41	000.02.041	Locknut	M8

Spreading rotor spreading flap

- 3 -



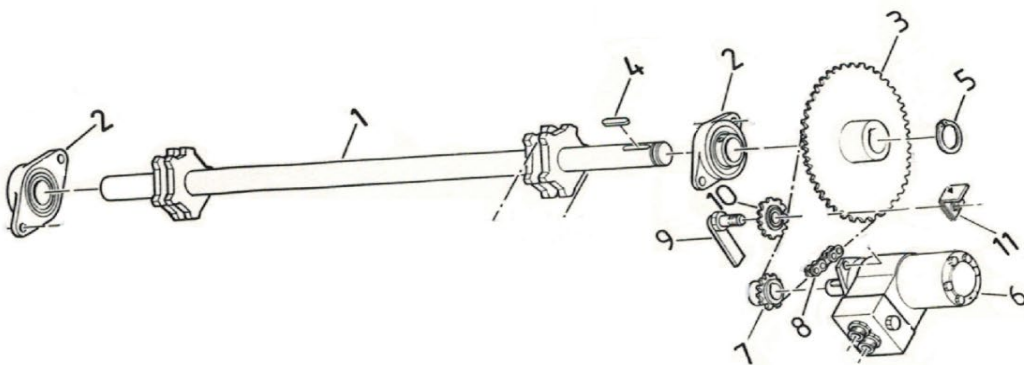
Spreading rotor spreading flap

Pos.	Order no.	Order text	
1	001.03.100	Deflector for normal machine 1500-3100	
	003.03.100	Deflector compl. with springs for normal machine 1500-3100	
	002.03.100	Deflector 4000/5000	
	004.03.100	Deflector compl. with springs	4000-5000
2	001.03.200	Shift linkage 1500-3100 for normal mach. with 15-shaft	
	002.03.200	Shift linkage 4000/5000 with 15-shaft and V-lever	
3	000.03.003	Hexagon screw	M8x50
4	001.03.004	Flat iron bent without shaft 1500-3100	
	002.03.004	Sheet-metal lever bent without shaft 4000/5000	
5	000.03.005	Clamping lever	
6	001.03.600	Hand lever 1500-3100	
	002.03.006	Hand lever 4000/5000	
7	001.03.700	Shift linkage with 12-shaft for normal machine 1500-3100	
	002.03.700	Shift linkage with 12-shaft for 4000/5000	
8	001.03.008	Guide piece 1500-3100 for normal machine	
	002.03.008	Guide piece 4000/5000	
9	302.01.019	Hexagon screw	M8x25
10	302.01.025	Washer	M8
11	000.02.041	Hexagon locknut	M8
12	000.02.031	Washer	M12
13	001.03.013	Compression spring	5/25x125
14	000.03.014	Eyebolt	M10x140
15			no longer in the product range
16	000.06.098	Heavy-duty dowel pin	ø5x30
17	000.03.017	Hexagon screw qual. 10.9	M12x40
18	000.03.018	Locknut	M12
19	000.02.031	Washer	M12
20	000.03.020	Toothed washer	M12
21	000.03.021	Spreading tines normal	
	002.03.021	Wide spreading tines	
22	003.03.101	Hexagon locknut	M10
23	003.03.102	Washer	M10
24	001.03.240	Spreading rotor without tines 1500-3100	
	002.03.240	Spreading rotor without tines 4000/5000	
25	000.02.008	Feather key	10x8x45
26	000.03.026	Pillow block SW	ø35
	001.01.005	Bearing insert for SW 35	ø35

Spreading rotor spreading flap

Pos.	Order no.	Order text	
27	003.03.027	V-belt pulley w. Taperlock (3-groove) up to no. 3614	SPA-125-3
	201.03.027	V-belt pulley w. Taperlock (4-groove) from no. 3615	SPA-125-4
	002.03.027	V-belt pulley 4000/5000	SPB-190-3
28	000.05.005	Circlip	A35
29	000.02.032	Hexagon nut	M12
30	000.03.300	ROSTA belt tensioner compl.	
	102.03.310	ROSTA tensioner with ball bearing	ø30
	102.03.320	ROSTA tensioning element	SE 11
31	000.02.037	Hexagon screw	M12x40
32	000.03.031	V-belt pulley	SPA-80-1
33	000.03.033	Circlip	A25
34	000.03.034	Pillow block	ø25
	001.03.034	Bearing insert for SW 25	ø25
35	000.03.350	Mini rotor	
36	000.03.036	Feather key	8/7x28
37	000.06.055	Hexagon screw	M10x35
38	201.04.165	Hexagon nut	M10
39	001.03.039	V-belt for mini rotor 1500-3100	SPA-882 LW
	002.03.039	V-belt 4000/5000	SPA-1082 LW/1100LA
40	001.03.040	V-belt for spreading rotor 1500 - 1800L	SPA-2057 LW
	005.03.040	V-belt for spreading rotor Red-Power (with greater power)	SPA-2057 LW
	002.03.040	V-belt for 2400 / 3100	SPA-2232 LW
	006.03.040	V-belt for spreading rotor Red-Power (with greater power)	SPA-2232 LW
	003.03.040	V-belt 4000/5000	SPB-2800 LW
41	001.03.041	Connection for hydr. spreading width adj.	
	002.03.041	Connection 4000/5000	
42	000.03.042	Safety bolt	
43	000.03.043	Fork head	M12
44	000.03.044	Nut for gas pressure cylinder	M30
45	000.03.045	Spacer tube (only 1500-3100)	
46	000.03.046	Spacer tube (only 1500-3100)	
47	000.03.047	Gas pressure cylinder	
	000.03.470	Retrofit kit for hydr. spreading width adjustment normal mach.	
48	000.03.048	Cylinder mounting (only 1500-3100)	
49	000.03.049	Counterplate (only 1500-3100)	
50	000.03.050	Rubber handle	

Scraper floor up to no. 1981
Feed drive with chain transmission

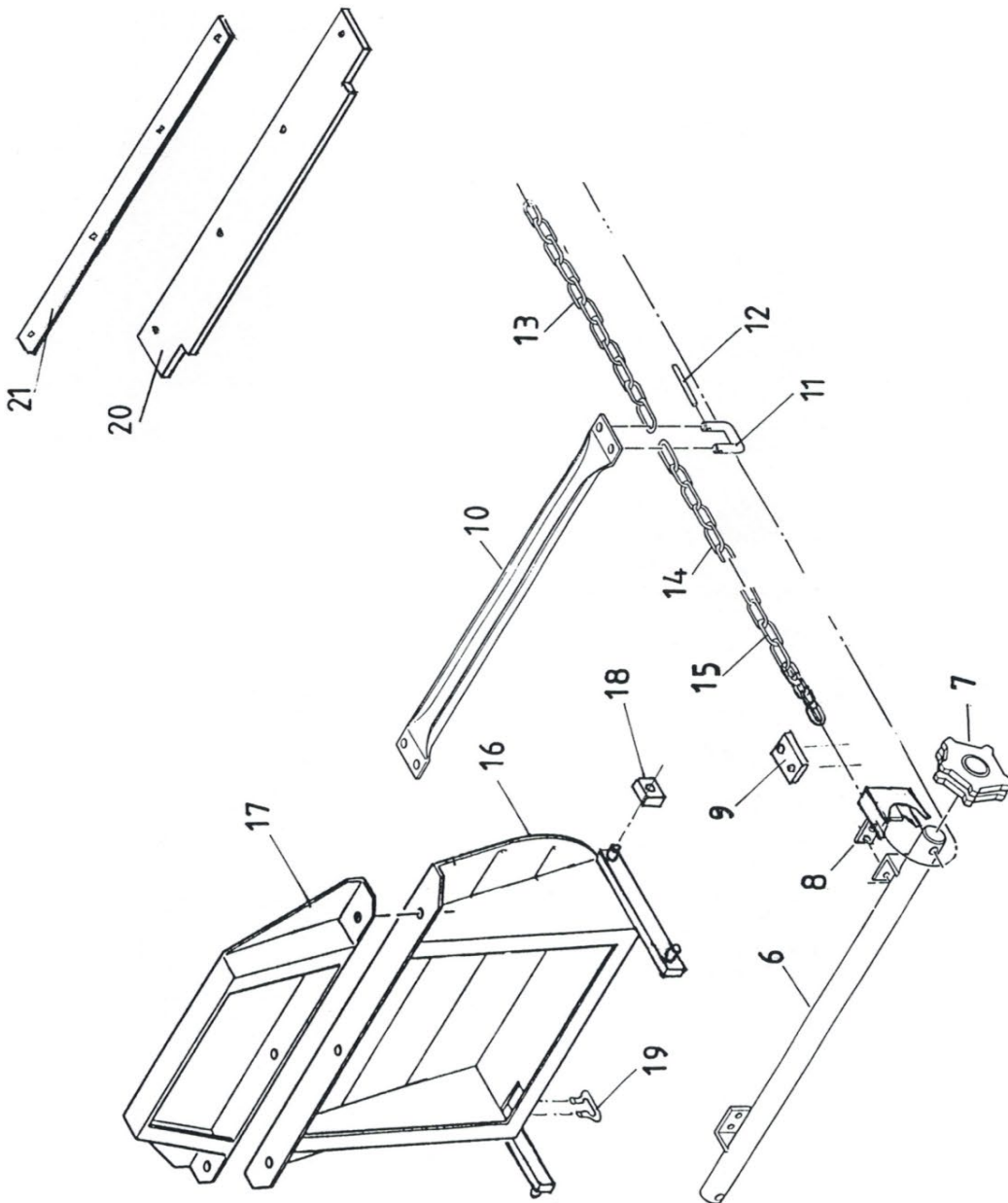


Scraper floor up to no. 1981
Feed drive with chain transmission

Pos.	Order no.	Order text	
1	000.01.500	Feed shaft	ø35
2	000.02.010	Flanged bearing oval	ø35
	001.01.005	Bearing insert	ø35
3	301.01.710	Sprocket	5/8" Z48 ø35
	001.03.005	Sprocket for planetary gearbox (3100-5000 from no.1356)	5/8" Z40 ø35
4	000.02.008	Feather key	10x8x45
5	000.05.005	Circlip	A35
6	300.06.005	G-roller motor/shaft ø25/high torque incl.shock valve	300 cm ³
		<u>Planetary gearbox with chain transmission</u>	
	201.04.004	G-roller motor with spline shaft without shock valve	50 cm ³
		1-stage planetary gearbox with output shaft ø 38	no longer in the product range
	001.06.005	Shock valve for "Oildrive" motor	
	002.06.005	Pressure relief cartridge for "Oildrive" shock valve	
7	000.07.005	Sprocket	5/8" Z 10 ø25
	011.07.005	Sprocket for planetary gearbox (for 3100-5000 from no.1356)	5/8" Z 13 ø38
8	000.08.005	Roller chain + closing element	5/8" ASA50 71 links
8	001.08.005	Roller chain + closing element (for planetary gearbox)	5/8" ASA50 60 links
9	000.09.005	Chain tensioning screw with lever	
10	000.10.005	Idler sprocket	5/8" Z 17
10	001.10.005	ROSTA chain link planetary gearbox (3100-5000 from no. 1356)	P 5/8"
11	000.11.005	Clamping angle	

Scraper floor up to no. 1981

- 4 -

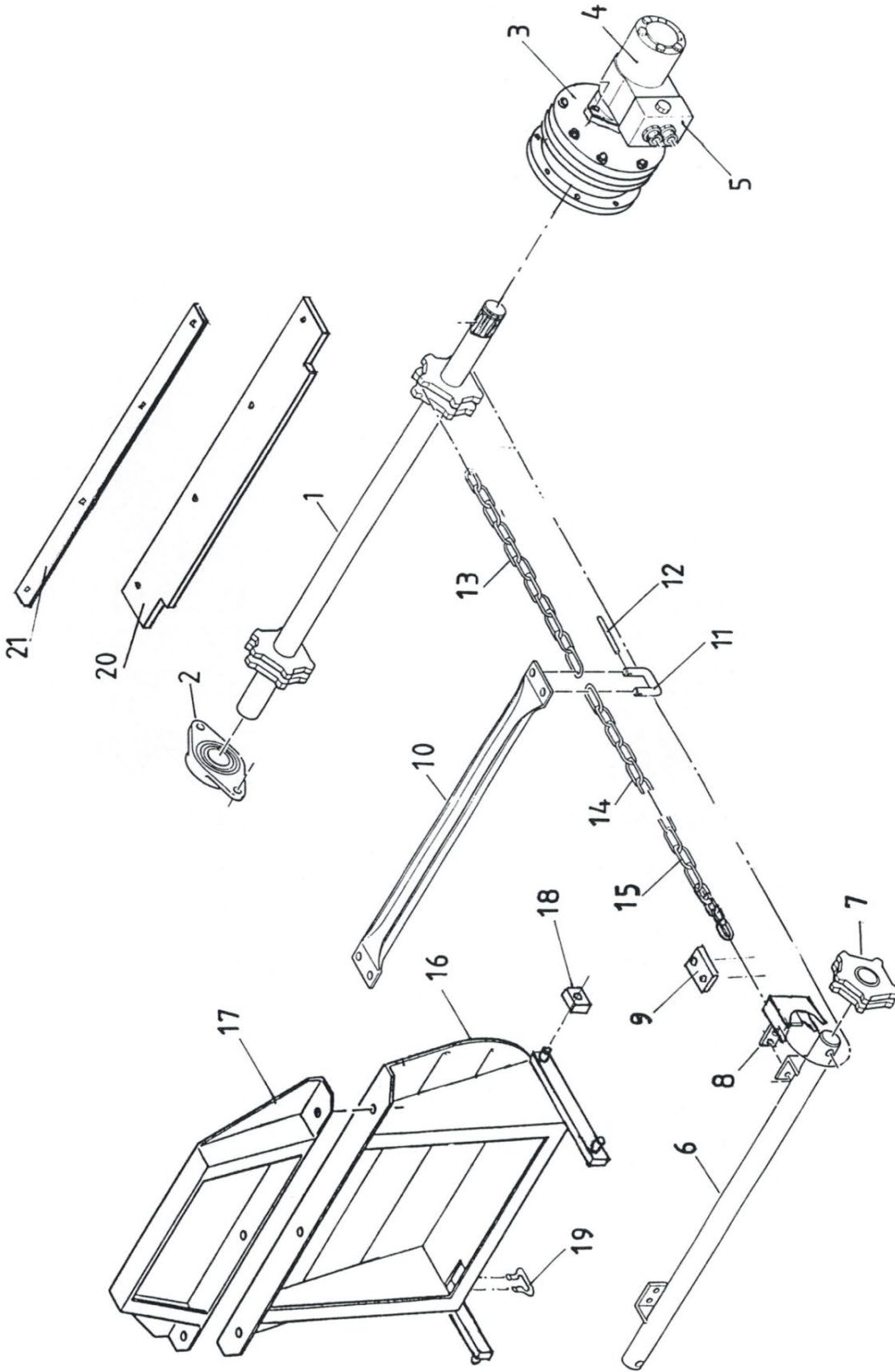


Scraper floor up to no. 1981

Pos.	Order no.	Order text	
6	001.04.610	Deflection shaft new (see page 20-21)	
7			no longer in the product range
8	001.04.608	Scraper with guard plate	
9	000.04.009	Flat bar stop	
10	001.04.010	Scraper floor bar	M10
	302.07.010	Shackle screw-fixed with nuts	M10
12	000.04.012	Locking pin rust-free for shackle	
13	000.04.013	Round link chain member	15 links
14	000.04.014	Round link chain member	17 links
	001.04.014	Round link chain member	21 links
	002.04.015	Round link chain member 1800/2400	97 links
	304.07.013	Round link chain member 1800/2400	103 links
15	005.04.015	Round link chain member 1800L/3100/5000	123 links
	006.04.015	Round link chain member long 4000	147 links
16	001.04.160	Bulkhead 1500/1800/1800L	with plastic glide + chain lock
	002.04.160	Bulkhead 2400/3100/long 4000	with plastic glide + chain lock
	003.04.160	Bulkhead 4000/5000	with plastic glide + chain lock
17	000.04.170	Bulkhead attachment 1800 - 3100	
18		Plastic glide 38/25x50	no longer in product range
18	001.04.018	Plastic glide long double-use	38/25x170
20	000.04.020	Rubber plate	645x100x10
21	000.04.021	Fixing lug	

Scraper floor from no. 1982 - no. 4278 + for 5000 A to no. 6383

- 4 -



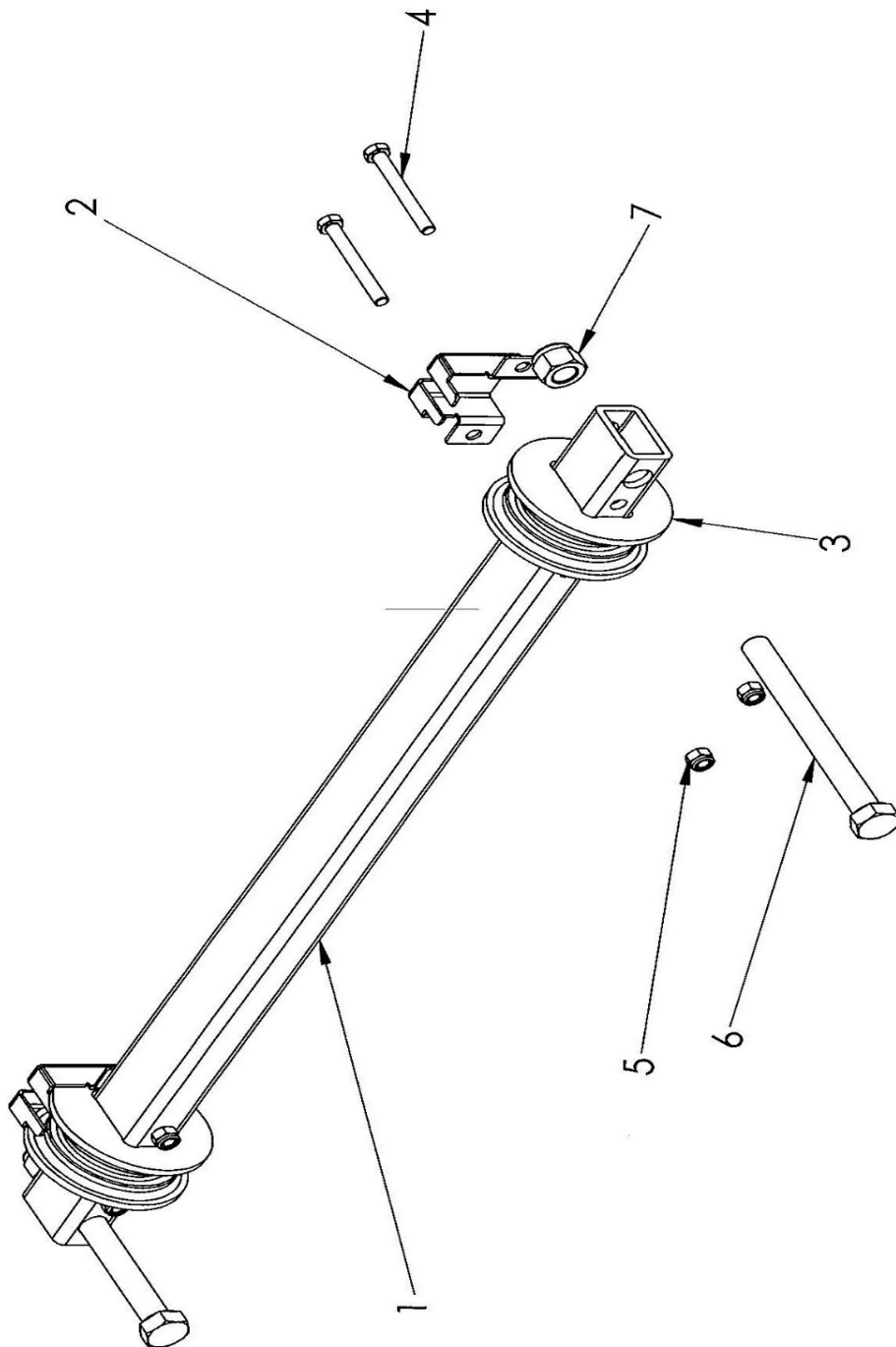
Scraper floor from no. 1982 - no. 4278 + for 5000 A to no. 6383

Feed drive with planetary gearbox

1	000.04.100	Feed shaft	ø40
2	000.04.002	Flanged bearing oval	ø40
	001.04.002	Bearing insert	ø40
3			no longer in the product range
4	201.04.004	G-roller motor with spline shaft without shock valve	50 cm ³
	300.04.005	G-roller motor with spline shaft with shock valve	300 cm ³
	601.04.022	G-roller motor with spline shaft without shock valve for planetary gearbox 2-stage	100 cm ³
5	001.06.005	Shock valve for "Oildrive" motor	
	002.06.005	Pressure relief cartridge for "Oildrive" shock valve	
6	001.04.610	Deflection shaft new (see page 20-21)	
7			no longer in the product range
8	001.04.608	Scraper with guard plate	
9	000.04.009	Flat bar stop	
10	001.04.010	Scraper floor bar	M10
	302.07.010	Shackle screw-fixed with nuts	M10
12	000.04.012	Locking pin rust-free for shackle	
13	000.04.013	Round link chain member	15 links
14	000.04.014	Round link chain member	17 links
	001.04.014	Round link chain member for all up to no. 2486	21 links
	001.04.015	Round link chain member 1500/1800/2400/4000 No. 2220-4278	85 links
	002.04.015	Round link chain member 1800/2400 - No. 2219	97 links
	304.07.013	Round link chain member 1800/2400 - No. 2219	103 links
15	004.04.015	Round link chain member 1800L/3100/ 5000 No. 2220-2486	105 links
	005.04.015	Round link chain member 1800L/3100/5000 - No. 2219	123 links
	007.04.015	Round link chain member 1800L 3100 5000 No. 2487-4278	111 links
16	001.04.160	Bulkhead 1500/1800/1800L with plastic glide + chain lock	
	002.04.160	Bulkhead 2400/3100/long 4000 with plastic glide + chain lock	
	003.04.160	Bulkhead 4000/5000 with plastic glide + chain lock	
17	000.04.170	Bulkhead attachment 1800 - 3100	
18		Plastic glide 38/25x50	no longer in the product range
	001.04.018	Plastic glide long double-use	38/25x170
19			
20	000.04.020	Rubber plate up to no. 4275	645x100x10
21	000.04.021	Fixing lug	

New deflection

- 4d -



New deflection

Pos.	Order no.	Order text	
1	303.07.400	Clamping bar	
2	303.07.005	Finger guard deflection slider	
3	303.07.006	Deflection slider	
4	201.04.031	Hexagon screw	M8x65
5	000.02.041	Hexagon locknut	M8
6	001.04.022	Hexagon screw	M12x150
7	000.03.018	Hexagon locknut	M12
	001.04.610	Deflection complete	

Hydraulic hoses

Pos. Order no.

Order text

Order as shown in the example below:

Example:

Overall length: 2900 mm
Connections: 1st side 0° / 2nd side 45°
From where to where? Coupling to feed
Machine type: 2.5 H VARIO
Chassis no.: 3150
Truck type: Muli 500

Price: Basic price per hose incl. fittings: CHF 30.90
Length surcharge per cm length CHF 0.30

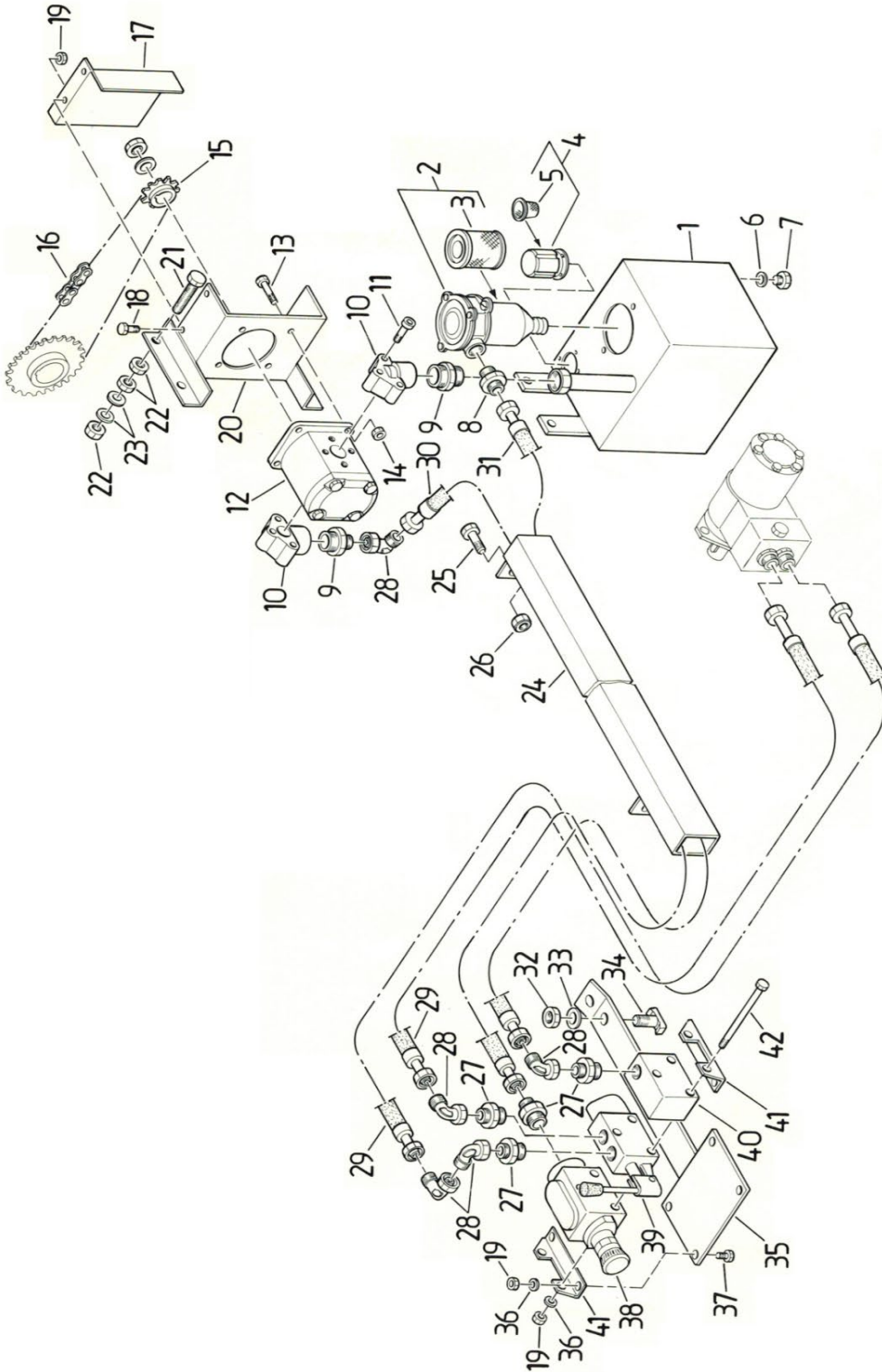
Price for above example:

Basic price: incl. fittings CHF 30.90
Length surcharge: 290x 0.30 = CHF 87.00
Total: CHF 117.90

000.05.020 Hydraulic socket (female piece) with dust cap
000.05.021 Hydraulic connector (male piece) with dust cap

Working hydraulics (compl. hydraulic unit) up to no. 2219

6

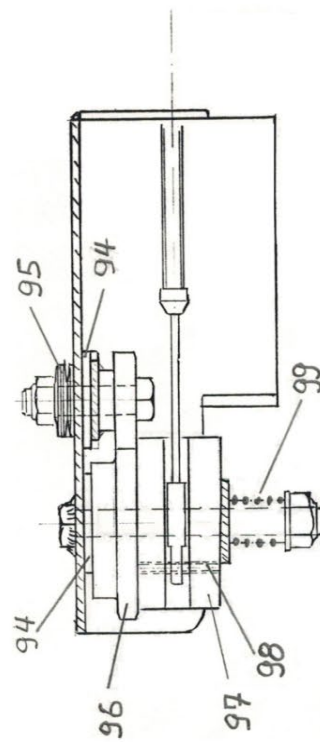
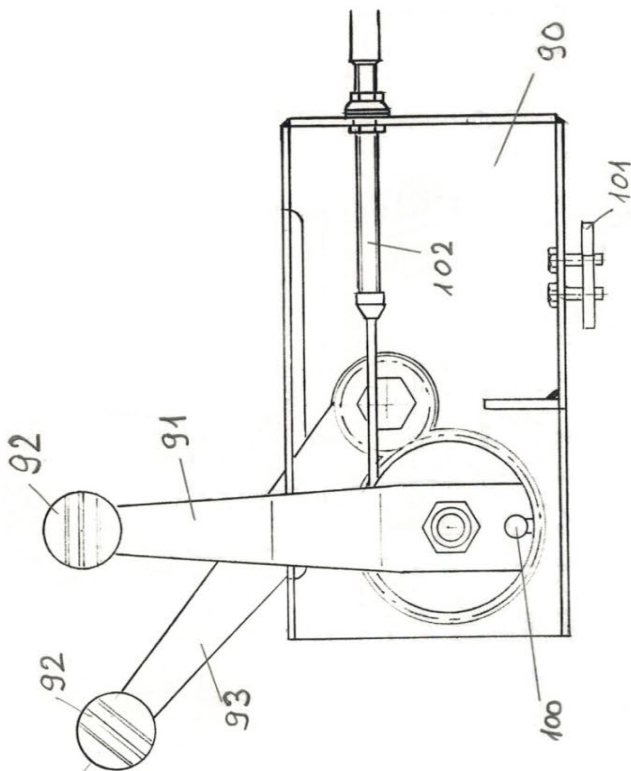
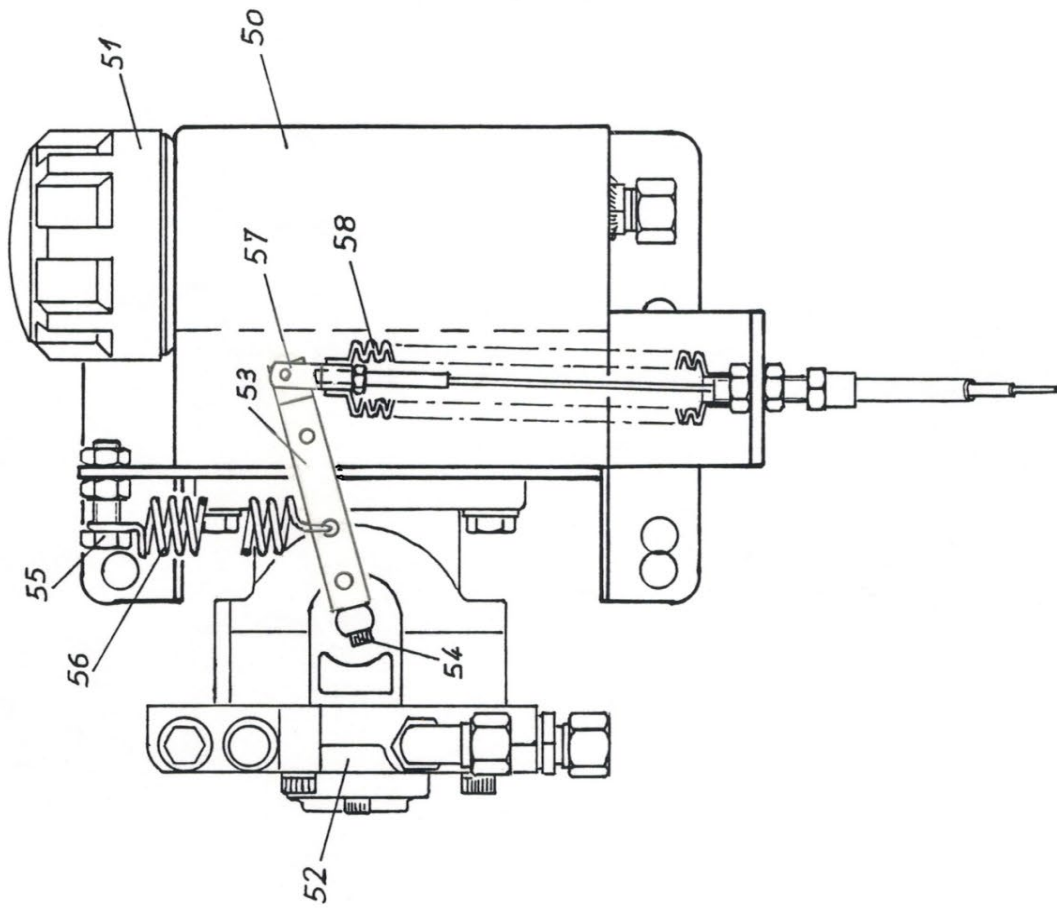


Working hydraulics (compl. hydraulic unit) up to no. 2219

Pos.	Order no.	Order text	
1			no longer in the product range
2			no longer in the product range
3	000.06.003	Filter insert	
4+5	001.06.004	Filler neck compl. (connection piece and filter)	
6	000.06.006	Sealing ring	
7	000.06.007	Screw plug	
8	000.06.008	Screw-in fitting	ø 12/ 1/2"
9	000.06.009	Screw-in fitting	ø 22/ 3/4"
10	000.06.010	Flange pressure side	
	000.06.011	Flange suction side	
11	001.06.011	Cylinder head screw	M8x35
12	201.06.019	Gear pump clockwise rotation for mounted spreader	
	202.06.019	Gear pump anticlockwise rotation for trailer spreader	
13	000.06.013	Hexagon screw	M8x35
14	000.02.041	Hexagon locknut	M8
15	000.06.015	Sprocket conical	3/8" Z 17
16	000.06.016	Roller chain + closing element 1800 / 3100	3/8" 107 links
	201.06.026	Roller chain + closing element 5000 up to no. 1000	3/8" 123 links
	002.06.016	Roller chain for 5000 with closing element from no. 1000	3/8" 139 links
17			no longer in the product range
18	201.04.175	Hexagon screw	M8x16
19	201.04.173	Hexagon nut	M8
20			no longer in the product range
21	301.07.024	Hexagon screw	M12x80
22	000.02.032	Hexagon nut	M12
23	000.02.031	Washer	M12
24			no longer in the product range
25	601.04.032	Hexagon screw	M12x35
26	000.02.041	Hexagon locknut	M8
27	000.06.027	Screw-in fitting	ø12/M18x1.5
28	000.06.028	Threaded elbow joint	18x1.5
29-32		Hydraulic hose see page 22	
32	601.04.040	Hexagon nut	M16
33	101.06.016	Washer	M16
34	201.12.033	Halfen head screw	M16x40
35	201.06.002	Holder f. flow controller and control block (mounted models)	
	201.06.003	Clamp bar	
36	601.05.019	Spring washer	M8
37	302.01.017	Hexagon screw	M8x20
38-40	001.06.038	Control block compl. (in exchange)	
41			no longer in the product range
42	000.06.042	Hexagon screw	M8x145

Hydraulic unit with hydrostatic pump from mach. no. 2220

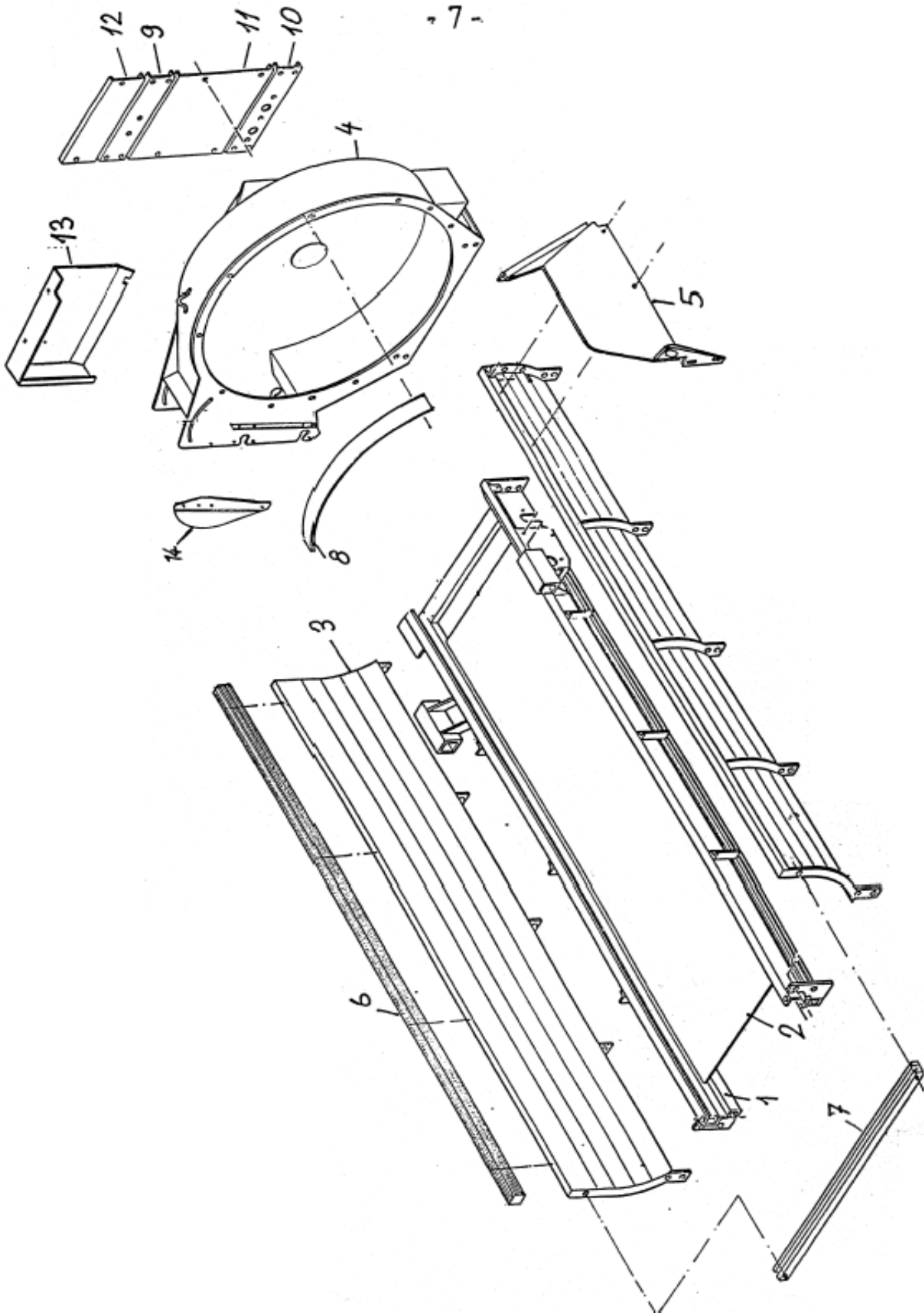
- 6 -



Hydraulic unit with hydrostatic pump from mach. no. 2220

Pos.	Order no.	Order text	
50	000.06.500	Hydraulic tank f. normal mach.	
51	001.06.051	Filling and venting filter	
	002.06.051	Seal for tank cap	
52	000.06.052	Variable displacement pump incl. screw connections	
53	000.06.053	Adjustment lever	
54	000.06.054	Allen screw	M5x25
55	000.06.055	Hexagon screw	M10x35
56	000.06.056	Tension spring	
57	000.06.057	Fork head with locking pin	
58	000.06.058	Bellows	
60	000.06.060	Sprocket	3/8" Z 15
61	000.06.061	Feather key	5/5x30
62	001.02.110	Sprocket	3/8" Z60 / 3/4" Z25
63	000.06.016	Roller chain for 1500/1800/2400/3100	3/8" 107 links
	201.06.026	Roller chain for 4000/5000	3/8" 123 links
90	000.06.090	Sheet-metal part for actuation	
91	000.06.091	Fast gear lever	
92	000.06.092	Mushroom grip	
93	000.06.093	Feed adjusting lever with gearwheel	Z25
95	000.06.095	Disc springs	
96	000.06.096	Gearwheel	Z50
97	000.06.097	Plastic part	
98	000.06.098	Heavy-duty dowel pin	ø5x30
99	000.06.099	Compression spring	
100	000.06.100	Drive pin	
101	000.06.101	Fastening clip	
102	001.06.102	Control brake cable for 1500/1800/2400	with 2 ball joints
	002.06.102	Control brake cable for 1800L/3100	with 2 ball joints
	003.06.102	Control brake cable for trailer	with 2 ball joints

Tank spreading housing up to no. 1981



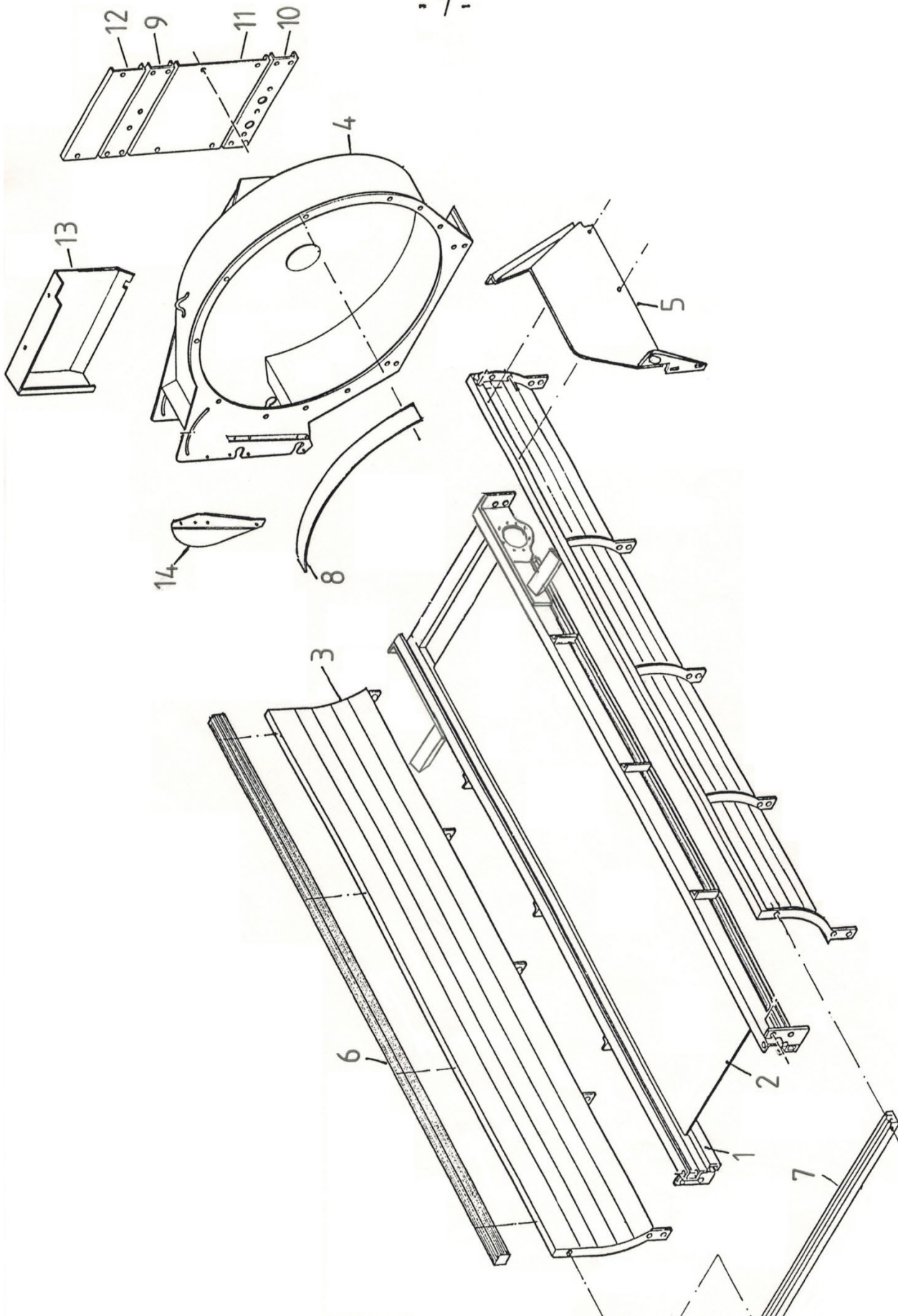
Tank spreading housing up to no. 1981

Pos.	Order no.	Order text	
1	001.07.001	Base frame 1500/1800/2400/4000	
	002.07.001	Base frame 1800L/3100/5000 up to no. 1981	
		Base frame 3100/4000/5000 from no. 1356 up to no. 1982 (planetary gearbox with chain drive)	
2	001.07.002	Floor plate 1500 / 1800 / 2400 / 4000 short	
	002.07.002	Floor plate 1800L / 3100 / 5000	
3	001.07.300	Type 1500	
	002.07.300	Type 1800	
	003.07.300	Type 1800L	
	004.07.300	Type 2400	
	005.07.300	Type 3100	
	006.07.300	Type 4000 short	
	007.07.300	Type 5000	
	008.07.300	Type 4000 long	
4			no longer in the product range
5	001.07.005	Access guard left in direction of travel	
	002.07.005	Access guard right in direction of travel	
6			no longer in the product range
7	001.07.007	Cross piece 1500 / 1800 / 1800L	
	002.07.007	Cross piece 2400 / 3100	
	003.07.007	Cross piece 4000 short / 5000	
8	001.07.008	Inlet plate 1500	
	002.07.008	Inlet plate 1800 / 1800L	
	003.07.008	Inlet plate 2400 / 3100	
	004.07.008	Inlet plate 4000 / 5000	
9	001.07.009	Cross bar top 1500 - 3100 and 4000 long	
	002.07.009	Cross bar top 4000 short / 5000	
10	001.07.010	Cross bar bottom 1500 - 3100 and 4000 long	
	002.07.010	Cross bar bottom 4000 short / 5000	
11	001.07.011	Box guard large 1500 / 1800 / 1800L	
	002.07.011	Box guard large 2400 / 3100 / 4000 long	
	003.07.011	Box guard large 4000 short / 5000	
12	001.07.012	Box guard small 1500 - 3100 and 4000 long	
	002.07.012	Box guard small 4000 short / 5000	
13	001.07.013	Spreading rotor guard 1500 / 1800 / 1800L*	
	002.07.013	Spreading rotor guard 2400 / 3100 / 4000 long*	
	003.07.013	Spreading rotor guard 4000 short / 5000	
14	001.07.014	Half-moon plate spreading rotor 1500-3100	
	002.07.014	Half-moon plate spreading rotor 4000/5000	

* please specify: Mounted or trailer

Tank spreading housing from no. 1982

- 7 -



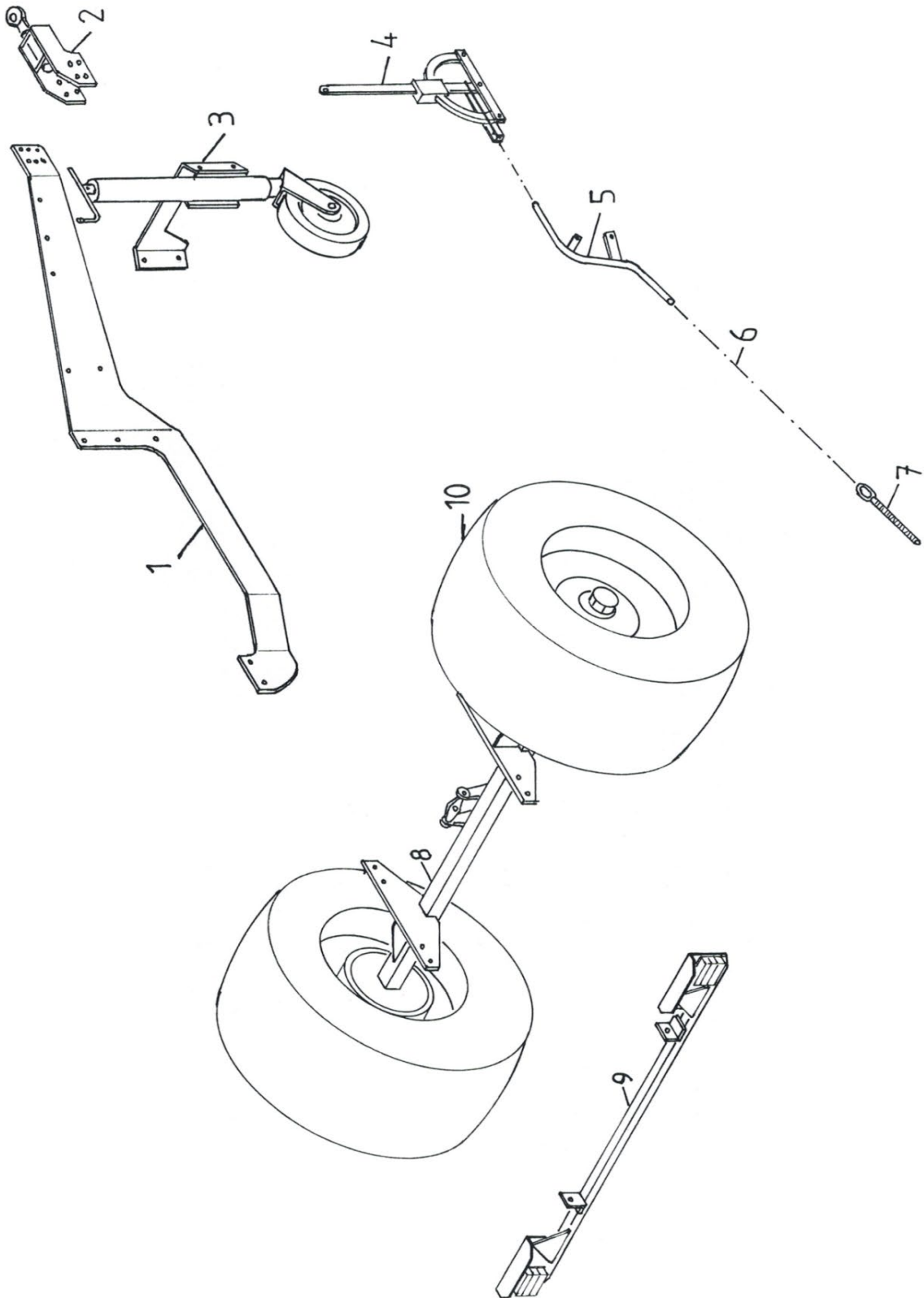
Tank spreading housing from no. 1982

Pos.	Order no.	Order text	
1	001.07.001	Base frame 1500/1800/2400/4000	
	003.07.001	Base frame 1800L/3100/4000/5000	
2	001.07.002	Floor plate 1500 / 1800 / 2400 / 4000 short	
	002.07.002	Floor plate 1800L / 3100 / 5000	
3	001.07.300	Type 1500	
	002.07.300	Type 1800	
	003.07.300	Type 1800L	
	004.07.300	Type 2400	
	005.07.300	Type 3100	
	006.07.300	Type 4000 short	
	007.07.300	Type 5000	
	008.07.300	Type 4000 long	
4			no longer in the product range
5	001.07.005	Access guard left in direction of travel	
	002.07.005	Access guard right in direction of travel	
6			no longer in the product range
7	001.07.007	Cross piece 1500 / 1800 / 1800L	
	002.07.007	Cross piece 2400 / 3100	
	003.07.007	Cross piece 4000 short / 5000	
8	001.07.008	Inlet plate 1500	
	002.07.008	Inlet plate 1800 / 1800L	
	003.07.008	Inlet plate 2400 / 3100	
	004.07.008	Inlet plate 4000 / 5000	
9	001.07.009	Cross bar top 1500 - 3100 and 4000 long	
	002.07.009	Cross bar top 4000 short / 5000	
10	001.07.010	Cross bar bottom 1500 - 3100 and 4000 long	
	002.07.010	Cross bar bottom 4000 short / 5000	
11	001.07.011	Box guard large 1500 / 1800 / 1800L	
	002.07.011	Box guard large 2400 / 3100 / 4000 long	
	003.07.011	Box guard large 4000 short / 5000	
12	001.07.012	Box guard small 1500 - 3100 and 4000 long	
	002.07.012	Box guard small 4000 short / 5000	
13	001.07.013	Spreading rotor guard 1500 / 1800 / 1800L*	
	002.07.013	Spreading rotor guard 2400 / 3100 / 4000 long*	
	003.07.013	Spreading rotor guard 4000 short / 5000	
14	001.07.014	Half-moon plate spreading rotor 1500-3100	
	002.07.014	Half-moon plate spreading rotor 4000/5000	

* please specify: Mounted or trailer

Parts for trailer

- 8 -

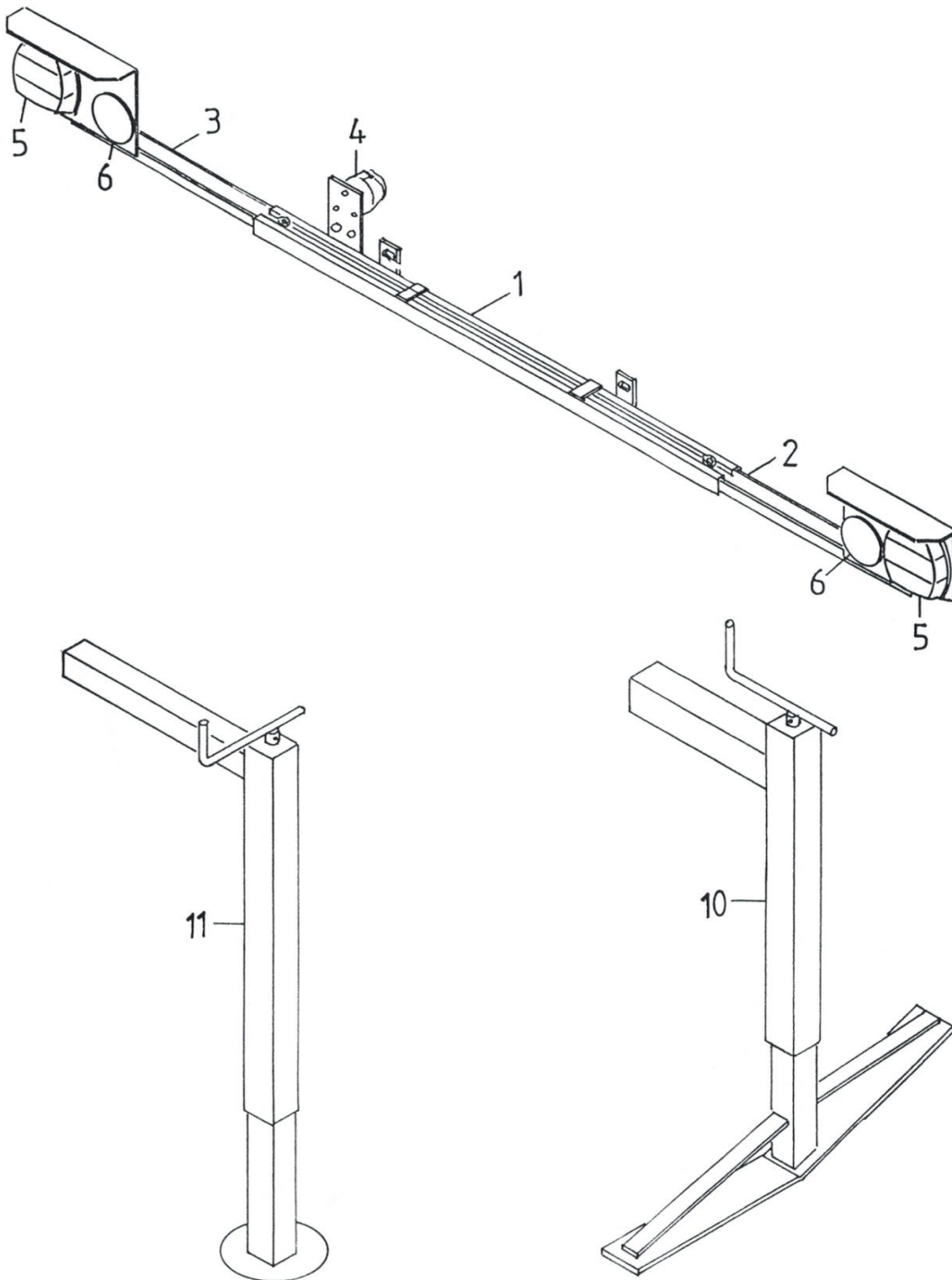


Parts for trailer

Pos.	Order no.	Order text	
1	001.08.001	Towbar cheek 1800 - 3100 and 4000 long in direction of travel right	
	002.08.001	Towbar cheek 1800 - 3100 and 4000 long in direction of travel left	
	003.08.001	Towbar cheek 4000 short / 5000 in direction of travel right	
	004.08.001	Towbar cheek 4000 short / 5000 in direction of travel left	
2	000.08.002	Drawbar eye 1800 to 5000	
3	001.08.003	Jockey wheel complete	
	002.08.003	Spindle for support wheel	
	003.08.003	Metal plate for support wheel	
4	101.10.003	"Farmer-Stop" brake lever"	
5	002.08.005	Cable guide tube	
6	001.08.006	Brake cable for 1800 / 2400 / 4000 short	
	002.08.006	Brake cable for 3100 / 5000	
7	101.10.005	Adjusting spindle	
8	101.10.702	Brake axle track 1600 for 1800-3100 and 4000 long	ready to install
	101.10.701	Brake axle track 1700 for 4000/5000	ready to install
9	101.10.900	Lighting holder unmounted	
	003.08.009	Reflector red triangular	BBS 123/5
	004.08.009	Rear lights	BBS 123/5
	005.08.009	Glass for rear light	FP 10 AJ.BA
	103.10.010	Rear light complete	FP 10 AJ.BA
	104.10.010	Glass for rear light	
10	101.10.008	Wheel complete (normal profile)	11.5 / 80x15.3 AW
	102.10.008	Wheel complete (lug profile)	11.5 / 80x15.3 AS
	103.10.008	Wheel complete (normal profile)	15.0/55x17 AW
	104.10.008	Wheel complete (lug profile)	15.0/55x17 AS
	105.10.008	Wheel complete (normal profile)	19.0/45x17 AW
	106.10.008	Wheel complete (lug profile)	19.0/45x17 AS

Rear lights and supports

- 9 -



Rear lights and supports

Pos.	Order no.	Order text	
1	102.11.100	Lighting holder unmounted	
	103.11.100	Lighting holder unmounted (from construction year approx. 2014)	
2	000.11.200	Lamp holder right (to construction year approx. 2013)	
	001.11.200	Lamp holder right (from construction year approx. 2014)	
3	000.11.300	Lamp holder left (to construction year approx. 2013)	
	001.11.300	Lamp holder left (from construction year approx. 2014)	
4	000.11.004	Socket	71/7
5	004.08.009	Rear lights	BBS 123/5
	005.08.009	Glass for rear light	BBS 123/5
	103.10.010	Rear light complete	FP 10 AJ.BA
	104.10.010	Glass for rear light	FP 10 AJ.BA
6	000.11.006	Reflector round red	
10	003.09.010	Tipping support old version up to no. 1981 (longitudinal tube)	
	001.09.010	Tipping support complete from no. 1982 (cross tube)	
	002.09.010	Spindle for tipping support	
11	500.11.001	Support foot for mounted spreader without cross tube	
	500.11.800	Cross tube straight	60/60x400
	500.11.600	Cross tube for support foot	60/60x800
		Spindle for portal support	no longer in the product range

Mounting elements for truck

- 12 -

No	TRANSPORTER	VORN	MITTE	HINTEN
1	AEBI			
2	BUCHER 1800 Granit BUCHER Caron			
3	BUCHER Zenit 4000			
4	LINDNER Unitrac			
5	LINDNER 3500 bis Jg.85			
6	LINDNER 3500 ab Jg.85 LINDNER 3500 Lüönd			
7	MULI Typ 30/33/50 Typ 400 bis 600 Typ 440 bis 970			
8	MULI Typ 40			
9	RAPID AC 1350/1750 AC 1900 AC 2500			
10	RAPID AC 1400/1800 SCHILTRAC 9036			
11	RAPID AC 1800-26 AC 2000-26 AC 2500-28/30 AC 3000-28/30			
12	SCHILTRAC 432 bis 9075 SCHILTER 3500 CARARO T80			
13	SCHILTER 1300 alt SCHILTER 1600			
14	SCHILTER 1300 neu SCHILTER 2200			
15	SCHILTER 1800			
30-32	Befestigungsteile			

Mounting elements for truck

Pos.	Order no.	Order text	
1	201.12.100	AEBI - Mounting elements	Set incl. fixing
	202.12.100	AEBI - Mounting elements	Set without fixing
	203.12.100	AEBI - Cross bar front	
	204.12.100	AEBI - Upper part rear left	
	205.12.100	AEBI - Upper part rear right	
	201.12.165	AEBI TP 98/450 comb. - Mounting elements	Set incl. fixing
	202.12.165	AEBI TP 98/450 comb. - Mounting elements	Set without fixing
	203.12.165	AEBI TP 98/450 comb. - Cross bar front	
	204.12.100	AEBI TP 98/450 comb. - Upper part rear left	
	205.12.100	AEBI TP 98/450 comb. - Upper part rear right	
2	201.12.200	BUCHER 1800 - Mounting elements	Set incl. fixing
	202.12.200	BUCHER 1800 - Mounting elements	Set without fixing
	203.12.200	BUCHER 1800 - Mounting element front	
	204.12.200	BUCHER 1800 - Mounting element rear right	
	205.12.200	BUCHER 1800 - Mounting element rear left	
3	201.12.250	BUCHER ZENIT - Mounting elements	Set incl. fixing
	202.12.250	BUCHER ZENIT - Mounting elements	Set without fixing
	203.12.250	BUCHER ZENIT - Mounting element front right	
	204.12.250	BUCHER ZENIT - Mounting element front left	
	205.12.250	BUCHER ZENIT - Mounting element rear right	
	206.12.250	BUCHER ZENIT - Mounting element rear left	
	201.12.800	CARON Series 900	Set incl. fixing
	202.12.800	CARON Series 900	Set without fixing
	203.12.800	CARON Series 900 - front left	
	204.12.800	CARON Series 900 - front right	
	205.12.800	CARON Series 900 - centre	
	206.12.800	CARON Series 900 - rear	
4	201.12.300	LINDNER UNITRAC - Mounting elements	Set incl. fixing
	202.12.300	LINDNER UNITRAC - Mounting elements	Set without fixing
	203.12.300	LINDNER UNITRAC - Mounting element front right	
	204.12.300	LINDNER UNITRAC - Mounting element front left	
	205.12.300	LINDNER UNITRAC - Mounting element centre	
	206.12.300	LINDNER UNITRAC - Mounting element rear right	
	207.12.300	LINDNER UNITRAC - Mounting element rear left	
5	201.12.330	LINDNER 3500 old - Mounting elements	Set incl. fixing
	202.12.330	LINDNER 3500 old - Mounting elements	Set without fixing
	203.12.330	LINDNER 3500 old - Mounting element front	
	204.12.330	LINDNER 3500 old - Mounting element centre	
	205.12.330	LINDNER 3500 old - Mounting element rear	

Mounting elements for truck

Pos.	Order no.	Order text	
6	206.12.330	LINDNER 3500 new (from year 85)	Set incl. fixing
	207.12.330	LINDNER 3500 new (from year 85)	Set without fixing
	208.12.330	LINDNER 3500 new (from year 85)	Mounting element front and centre left
	209.12.330	LINDNER 3500 new (from year 85)	Mounting element front and centre right
	210.12.330	LINDNER 3500 new (from year 85)	Mounting element rear right
	211.12.330	LINDNER 3500 new (from year 85)	Mounting element rear left
7	201.12.400	MULI 30-970 - Mounting elements	Set incl. fixing
	202.12.400	MULI 30-970 - Mounting elements	Set without fixing
	203.12.400	MULI 30-970 - Mounting element front	
	204.12.400	MULI 30-970 - Mounting element rear upper part	
	205.12.400	MULI 30-970 - Screw bracket rear	
	206.12.400	MULI T8/T9 Rear axle spr. - Mounting elements	Set incl. fixing
	207.12.400	MULI T8/T9 Rear axle spr. - Mounting elements	Set without fixing
	203.12.400	MULI T8/T9 Rear axle spr. - Mounting element front	
	204.12.400	MULI T8/T9 Rear axle spr. - Mounting element rear upper part	
	208.12.400	MULI T8/T9 Rear axle spr. - Screw bracket rear	
8	201.12.450	MULI 40 - Mounting elements	Set incl. fixing
	202.12.450	MULI 40 - Mounting elements	Set without fixing
	203.12.450	MULI 40 - Mounting element front	
	204.12.450	MULI 40 - Mounting element centre	
	205.12.450	MULI 40 - Mounting element rear	
9	201.12.500	RAPID 1750 / LINDNER Lüönd - Mounting elements	Set incl. fixing
	202.12.500	RAPID 1750 / LINDNER Lüönd - Mounting elements	Set without fixing
	203.12.500	RAPID 1750 / LINDNER Lüönd - Mounting element front / centre right	
	204.12.500	RAPID 1750 / LINDNER Lüönd - Mounting elements front / centre left	
	205.12.500	RAPID 1750 / LINDNER Lüönd - Mounting element rear right	
	206.12.500	RAPID 1750 / LINDNER Lüönd - Mounting element rear left	
10	201.12.530	MULI 1400 - Mounting elements	Set incl. fixing
	202.12.530	MULI 1400 - Mounting elements	Set without fixing
	203.12.530	RAPID 1400 - Mounting element front	
	204.12.530	RAPID 1400 - Mounting element rear right	
	205.12.530	RAPID 1400 - Mounting element rear left	
11	201.12.560	RAPID 2000-26 - Mounting elements	Set incl. fixing
	202.12.560	RAPID 2000-26 - Mounting elements	Set without fixing
	203.12.560	RAPID 2000-26 - Mounting element front	
	204.12.560	RAPID 2000-26 - Mounting element rear	
12	201.12.600	SCHILTRAC - Mounting elements	Set incl. fixing
	202.12.600	SCHILTRAC - Mounting elements	Set without fixing
	203.12.600	SCHILTRAC - Mounting element front / centre left	
	204.12.600	SCHILTRAC - Mounting element front / centre right	
	205.12.600	SCHILTRAC - Mounting element rear	

Mounting elements for truck

Pos.	Order no.	Order text	
13	201.12.700	SCHILTER 1600 - Mounting elements	Set incl. fixing
	202.12.700	SCHILTER 1600 - Mounting elements	Set without fixing
	203.12.700	SCHILTER 1600 - Mounting element front / centre	
	204.12.700	SCHILTER 1600 - Mounting element rear	
14	201.12.730	SCHILTER 2200 - Mounting elements	Set incl. fixing
	202.12.730	SCHILTER 2200 - Mounting elements	Set without fixing
	203.12.730	SCHILTER 2200 - Mounting element front / centre	
	204.12.730	SCHILTER 2200 - Mounting element rear	
15	201.12.760	SCHILTER 1800 - Mounting elements	Set incl. fixing
	202.12.760	SCHILTER 1800 - Mounting elements	Set without fixing
	203.12.760	SCHILTER 1800 - Mounting element front / centre	
	204.12.760	SCHILTER 1800 - Mounting element rear	
30	201.12.030	Counter plate	M16
31	201.12.031	Toothed washer	M16
32	201.12.032	Hexagon screw	M16x35
	201.12.033	Halfen head fixing screw for C-profile	M16x40
	601.04.040	Hexagon nut	M16
	201.12.034	Threaded plate for C-profile	M12