

GAFNER Manure and Compost Spreader

SPARE PARTS LIST

5.5 + 7.0 vario duo trailer

Copyright ©

This customer documentation is published by GAFNER Maschinenbau AG,
CH-8637 Laupen-Wald (Tel. 055 246 34 15 / FAX 055 246 51 70)

All rights reserved, particularly the rights of reproduction, distribution and translation.

No part of this work may be reproduced in any form (printing, photocopying, microfilm or any other process) or stored, processed, reproduced or distributed using electronic systems, without written authorisation.

Technical modifications

GAFNER reserves the right to make technical modifications to the product or to this document at any time without separate notification.

Table of contents

	Figure
Drive	1
Star-shaped rotor - planetary gear Vario and Duo	2
Spreading rotor	3a
Spreading width adjustment Vario and Duo	3b
Scraper floor	4
New deflection	4b
Hydraulic unit	5
Tank Vario and Duo	6
Spreading housing Vario and Duo	7
Towbar and axle Vario and Duo	8
Replacement signs	

Ordering example for spare parts

Gafner type e.g. type 7.0 A Vario

Chassis numbe e.g. No. 6915

Spare part num e.g. No. 601.01.150

Order text Drive shaft 5.5/7.0

Quantity e.g. 1 pc.

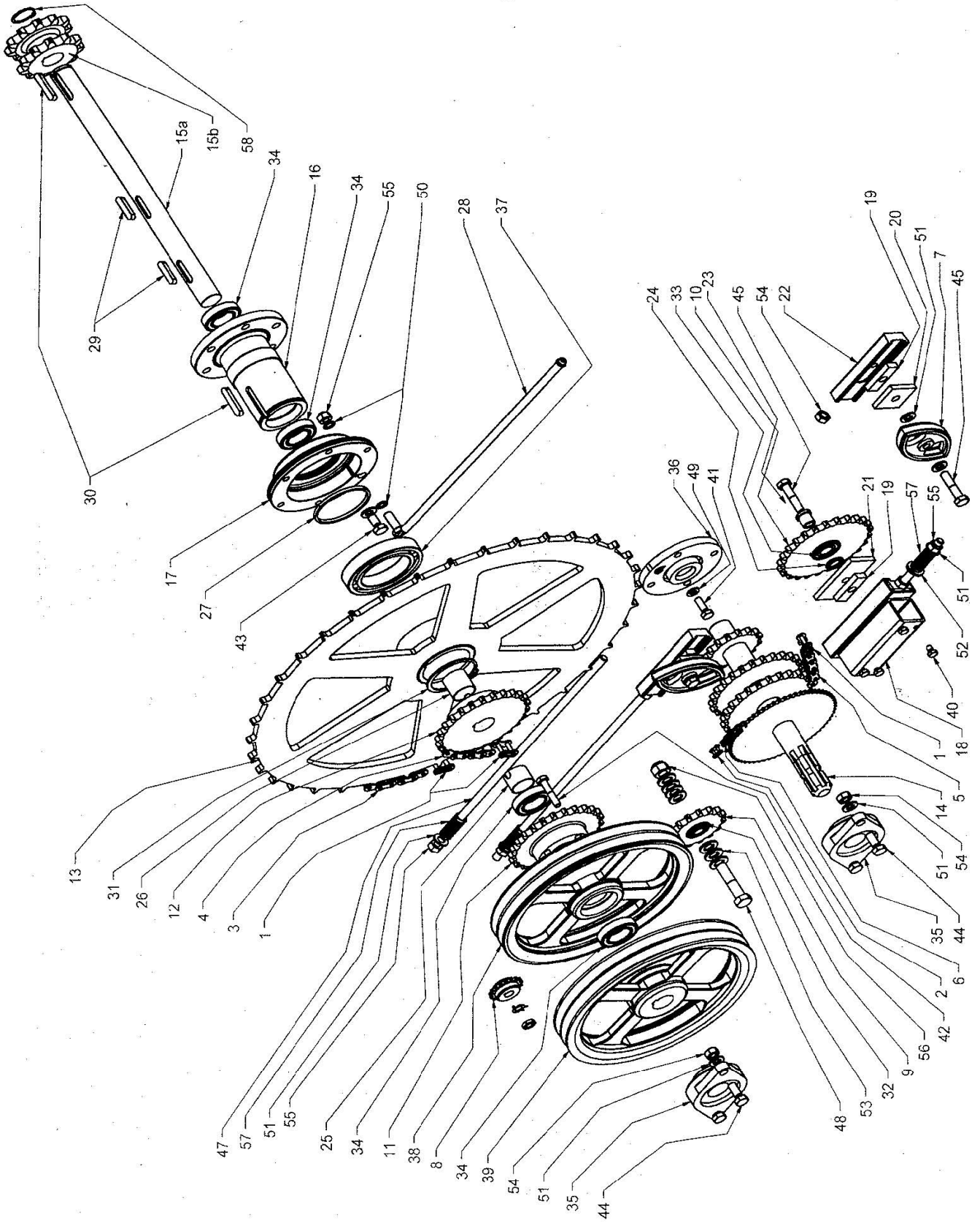
Drive**Vario and Duo**

Pos.	Order no.	Order text	Dimension
1	004.01.034	Chain lock straight	3/4"
2	204.06.026	Chain lock straight	3/8"
3	601.01.003	Roller chain 5.5/7.0	3/4" ASA 60 / 137 links
4	201.01.034	Roller chain 5.5/7.0	3/4" ASA 60 / 89 links
5	003.01.033	Roller chain 4000 to 7.0	3/4" ASA 60 / 153 links
6	601.01.006	Roller chain 5.5/7.0	3/8" DIN / 149 links
7	000.01.017	ROSTA chain rider	P 3/4"
8	000.06.015	Sprocket conical	3/8" z 17
9	000.18.002	Idler sprocket	3/4" z 15
10	601.01.010	Idler sprocket reversing gear	3/4" z 25
11	601.01.011	Sprocket Duo	3/4" z 25
12	000.02.011	Sprocket	3/4" z 25
13	777.07.140	Sprocket	3/4" z 108
	601.01.132	Hub screwable for sprocket	
14	601.01.140	Drive shaft Duo with hydr. unit	
	602.01.140	Drive shaft Duo	
	603.01.140	Drive shaft Vario with hydr. unit	
	604.01.140	Drive shaft Vario	
15a	602.01.150	Drive shaft 5.5/7.0	
15b	602.01.155	Sprocket pair 5.5/7.0	1" z 12
16	601.01.016	Hollow shaft 5.5- 7.0	
17	101.02.002	Star-shaped rotor bearing without ball bearing with circlip groove Duo	
	000.02.002	Star-shaped rotor bearing without ball bearing Vario	
18	601.01.180	Base for chain tensioner	
19	301.01.015	Spacer plate	
20	000.01.020	Perforated plate	
21	101.03.006	Perforated plate	50/5x120
22	000.01.021	Slider	
23	601.01.023	Bearing bush	
24	601.01.024	Spacer ring	4 mm
25	601.01.025	Spacer bush Duo	27.2 mm
	602.01.025	Spacer bush Vario	97.2 mm
26	601.01.026	Spacer bush	34.6 mm
27	301.01.018	Felt seal	
28	002.02.280	Lubrication pipe 5.5/7.0 and Duo	
29	000.02.008	Feather key	10x8x45
30	000.02.006	Feather key	10x8x56
31	000.02.004	Circlip	A 80
32	001.17.002	Bearing for idler sprocket	no longer available
33	601.01.033	Ball bearing	6204 2RS
34	000.02.005	Ball bearing	6007 2RS
35	000.02.010	Flanged bearing	OWFS 35
36	201.02.010	Flanged bearing	RVFW 35
37	000.02.003	Ball bearing	6016
38	601.01.038	V-belt pulley Duo	SPB 315-2
39	002.02.014	V-belt pulley	SPB 315-2

Drive**Vario and Duo**

Pos.	Order no.	Order text	Dimension
40	201.04.175	Hexagon screw	M8x16
41	302.03.015	Hexagon screw	M10x30
42	601.01.042	Hexagon screw	M10x50
43	000.02.034	Hexagon screw	M12x20
44	000.02.030	Hexagon screw	M12x30
45	601.01.045	Hexagon screw	M12x55
47	000.01.022	Threaded rod	M12 (specify length)
48	205.12.403	Hexagon screw	M16x70
49	003.03.102	Washer	M10
50	301.01.033	Copper seal	d 12.3/17.8x1.4
51	000.02.031	Washer	M12
52	301.03.016	Washer	13/28/4
53	101.06.016	Washer	M16
54	000.02.032	Hexagon nut	M12
55	000.03.018	Hexagon locknut	M12
56	201.04.026	Hexagon locknut	M16
57	000.01.023	Compression spring	3.2/19.2x59
58	000.05.005	Circlip	A 35

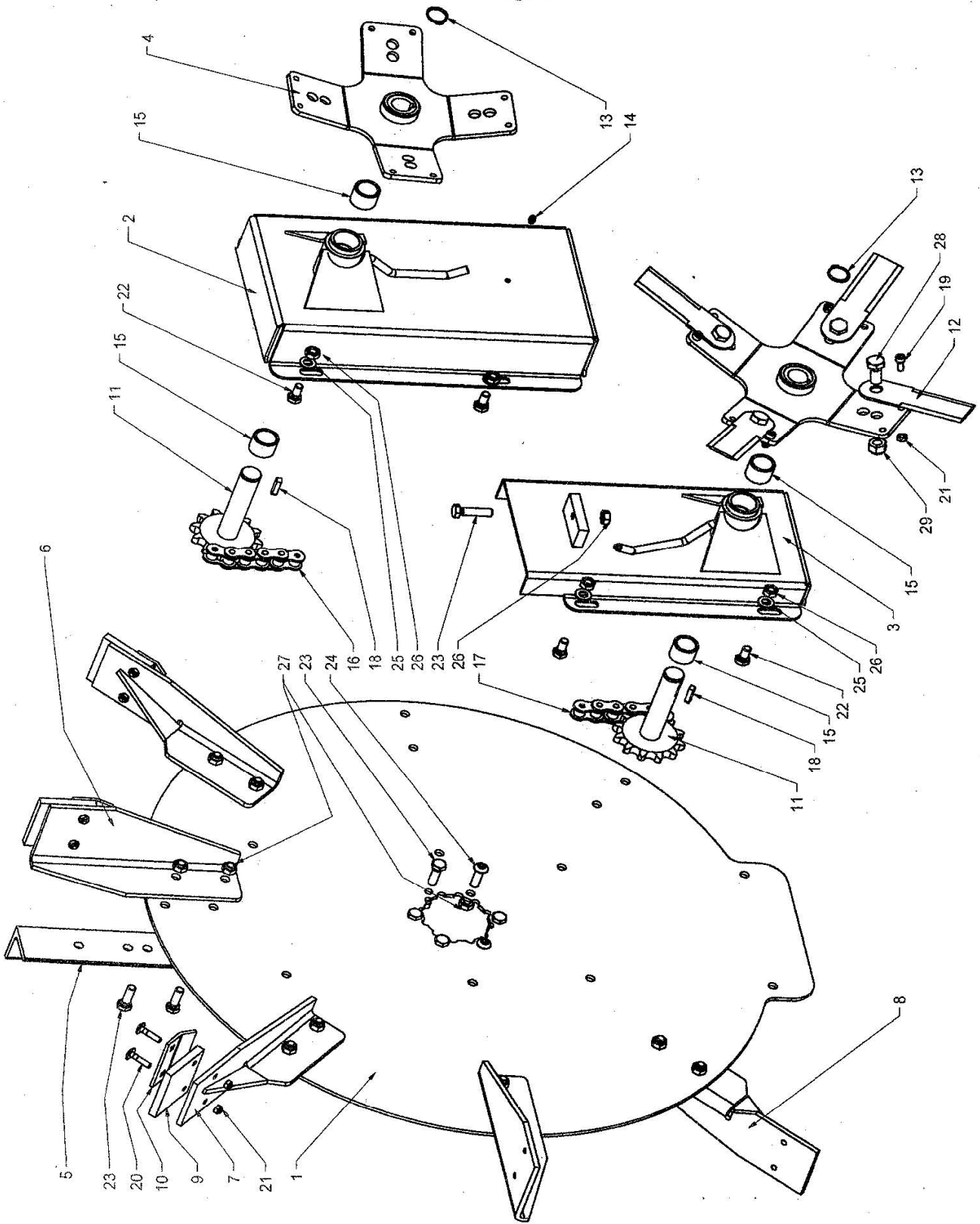
Fig. 1



Star-shaped rotor - planetary gear Vario and Duo

Pos.	Order no.	Order text	Dimension
1	601.02.100	Star-shaped rotor disc	
2	601.02.200	Planetary box large	
3	601.02.300	Planetary box small	
4	202.02.210	Planetary star	
5	000.02.019	Counterweight	
6	101.02.170	Feed bucket high right (trailer) compl.	
7	001.02.160	Feed bucket low right compl.	
8	001.02.180	Feed bucket low left copml.	
9	000.02.038	Flexible rubber plate	
10	000.02.039	Counterplate	
11	202.02.230	Planetary shaft with sprocket	
12	201.02.022	Planetary cutter straight	
	211.02.220	Planetary cutter straight and ground f. DUO (1 set w/o screws)	
13	000.02.026	Circlip	A 30
14	000.02.029	Lubrication nipple	
15	000.02.024	Bronze bearing	
16	601.02.016	Continuous roller chain 5.5/7.0	ASA 80 1" / 31 links
17	601.02.017	Continuous roller chain 5.5/7.0	ASA 80 1" / 44 links
18	000.02.025	Feather key	8x7x36
19	302.01.014	Cylinder-head screw DIN 912	M8 x 20
20	000.02.040	Lock screw	M8 x 35
21	000.02.041	Hexagon locknut	M8
22	000.03.035	Hexagon screw	M12 x 25
23	000.02.037	Hexagon screw	M12 x 40
24	301.01.029	Pan-head screw ISO 7380	M12 x 50
25	000.02.031	Washer DIN 125 A	M12
26	000.02.032	Hexagon nut	M12
27	000.03.018	Hexagon locknut	M12
28	201.12.032	Hexagon screw	M16 x 35
29	201.04.026	Hexagon locknut	M16
	203.02.211	Hub for milling planetary star	
	777.36.000	Milling planetary star without hub	
	203.02.230	Planetary shaft with sprocket	1" Z 19
	602.02.016	Continuous roller chain for milling planetary gear	ASA 80 1" / 35 links
	602.02.017	Continuous roller chain for milling planetary gear	ASA 80 1" / 48 links
	221.02.022	Milling tooth	
	221.02.220	Milling tooth (set of 6 pcs. without scr.)	
	233.02.210	Milling planetary star compl. with hub, teeth, screws	

Fig. 2



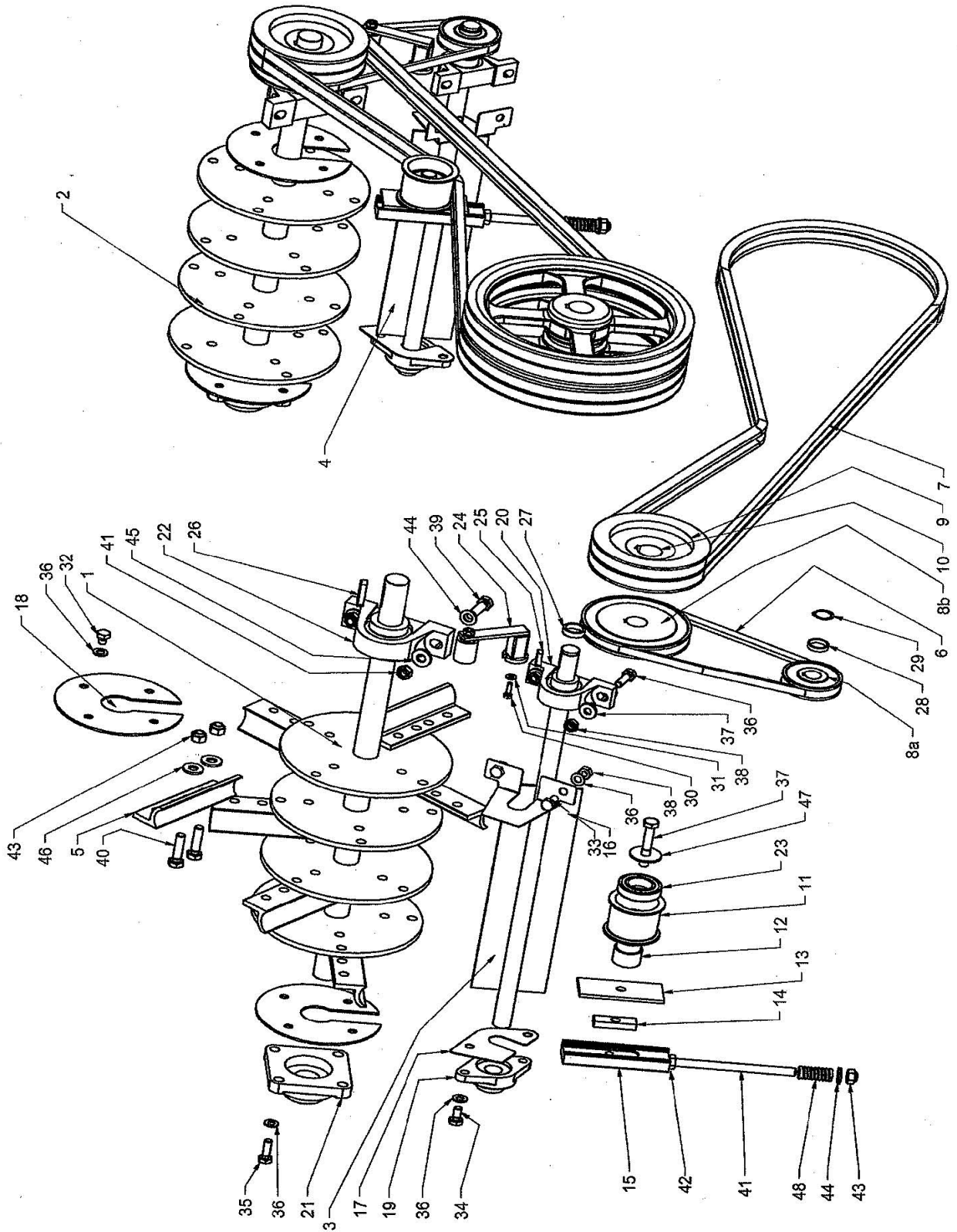
Spreading rotor Vario and Duo

Pos.	Order no.	Order text	Dimension
1	601.03.100	Vario spreading rotor without tines	
2	601.03.200	Duo spreading rotor	
3	601.03.300	Vario mini rotor	
4	601.03.400	Mini rotor Duo	
5	000.03.021	Spreading tines	
	601.03.210	Spreading tines set incl. screws	
	603.03.210	Spreading tines set without screws	
	002.03.021	Throwing tines	
	602.03.210	Throwing tines set incl. screws	12 + 4 pcs.
	604.03.210	Throwing tines set without screws	12 + 4 pcs.
6	101.03.039	V-belt from no. 7355	13 x 825 Li
7	004.03.040	V-belt	SPB 2650 LW
8a	000.03.032	V-belt pulley	SPA 85-1
8b	000.03.029	V-belt pulley from no. 7355	SPA 125-1
9	202.03.027	V-belt pulley from no. 7355	SPA 160-2
10	102.03.027	Clamping bush Taperlock	
11	102.03.900	V-belt tensioner alu compl.	D 71 with ball bearing
12	102.03.902	Axle for tensioner	
13	101.03.006	Perforated plate	50/5x120
14	000.01.020	Perforated plate	
15	000.01.021	Slider	
16	210.08.010	Guard plate front	
17	210.08.009	Guard plate rear	
18	210.08.008	Bearing washer for rocker	
19	101.09.019	Flanged bearing	OWF 25
20	000.03.034	Pillow block	SW 25
21	201.03.045	Flanged bearing	FWS 35
22	000.03.026	Pillow block	SW 35
23	000.02.005	Ball bearing	6007 2RS
24	000.03.300	Belt tensioner ROSTA compl.	
25	000.03.036	Feather key	8x7x28
26	000.02.008	Feather key	10x8x45
27	150.01.007	Spacer ring	8mm
28	150.01.006	Spacer ring	6mm
29	000.03.033	Circlip	A 25
30	601.03.030	Hexagon screw	M6x20
31	601.03.031	Toothed washer	M6
32	302.03.013	Hexagon screw	M10x12
33	601.03.033	Hexagon screw	M10x20
34	302.03.014	Hexagon screw	M10x25
35	302.03.015	Hexagon screw	M10x30
36	003.03.102	Washer DIN 125 A	M10

Spreading rotor Vario and Duo

Pos.	Order no.	Order text	Dimension
37	302.03.010	Washer VSM 13908	10.5/25x4
38	201.04.165	Hexagon nut	M10
39	201.03.041	Hexagon screw	M12 x 45
40	000.03.017	Hexagon screw 10.9	M12 x 40
41	000.01.022	Threaded rod	M12 (specify length)
42	000.02.032	Hexagon nut	M12
43	000.03.018	Hexagon locknut	M12
44	000.02.031	Washer DIN 125 A	M12
45	301.03.016	Washer VSM 13908	13/28x4
46	000.03.020	Toothed washer	M12
47	303.03.007	Body disc	M12
48	000.01.023	Compression spring	3.2/19.2x59

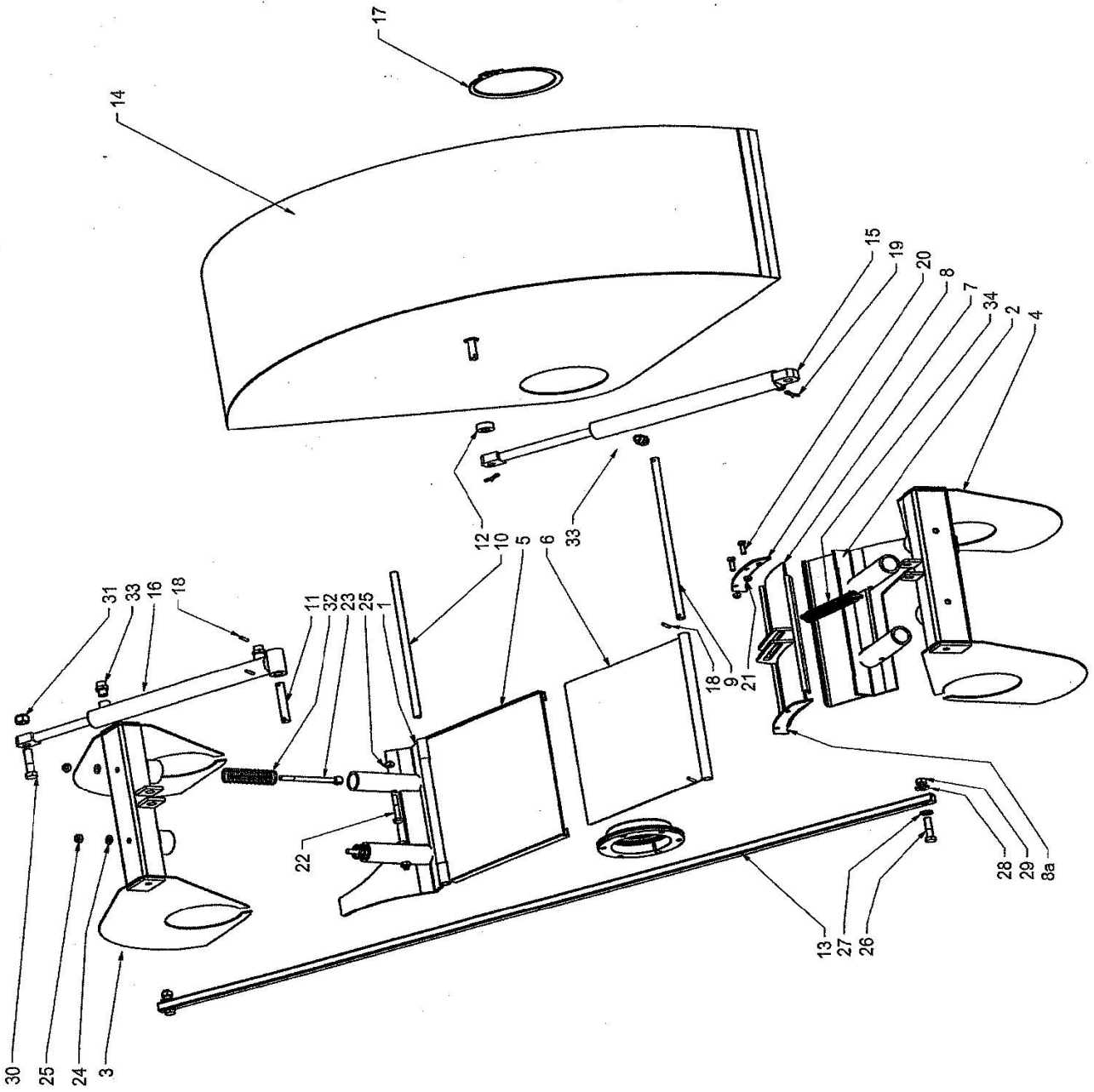
Fig. 3a



Spreading width adjustment Vario and Duo

Pos.	Order no.	Order text	Dimension
1	602.03.100	Deflector Vario	
2	602.03.200	Deflector DUO	
3	602.03.300	Adjustment rocker Vario	
4	602.03.400	Adjustment rocker Duo from no.7449 w. eye f. tension spring	
5	602.03.500	Telescopic plate with guide	
6	602.03.600	Telescopic plate without guide	
7	602.03.700	Telescopic plate round Duo from no. 7449 w. guide f. tension spring	
8	602.03.800	Arc segment Duo right	
8a	602.03.880	Arc segment Duo left	
9	602.03.009	Mounting shaft Vario	
10	602.03.010	Shaft	
11	602.03.011	Mounting shaft Vario cylinder	
12	602.03.012	Spacer ring	12 mm
13	602.03.013	Connecting rod Duo	
14	602.03.140	Shifting segment Duo	
15	602.03.150	Cylinder double acting Duo	
16	201.03.540	Cylinder double acting Vario	
17	602.03.017	Circlip	A 180
18	000.06.098	Heavy-duty dowel pin	5x30
19	301.04.006	Splint	5x40
20	302.01.017	Hexagon screw	M8x20
21	000.02.041	Hexagon locknut	M8
22	101.03.003	Hexagon screw	M10x60
23	000.03.014	Eyebolt DIN 444 A	M10x140
24	003.03.102	Washer DIN 125 A	M10
25	003.03.101	Hexagon locknut	M10
26	601.01.045	Hexagon screw	M12x55
27	000.02.031	Washer DIN 125 A	M12
28	301.03.016	Washer VSM 13908	13/28x4
29	000.02.032	Hexagon nut	M12
30	602.03.030	Hexagon screw	M16x60
31	201.04.026	Hexagon locknut	M16
32	001.03.013	Compression spring	5x25x125
33	301.03.010	Screw connection	GE 12 LR A3CX
34	601.07.012	Tension spring	

Fig. 3b

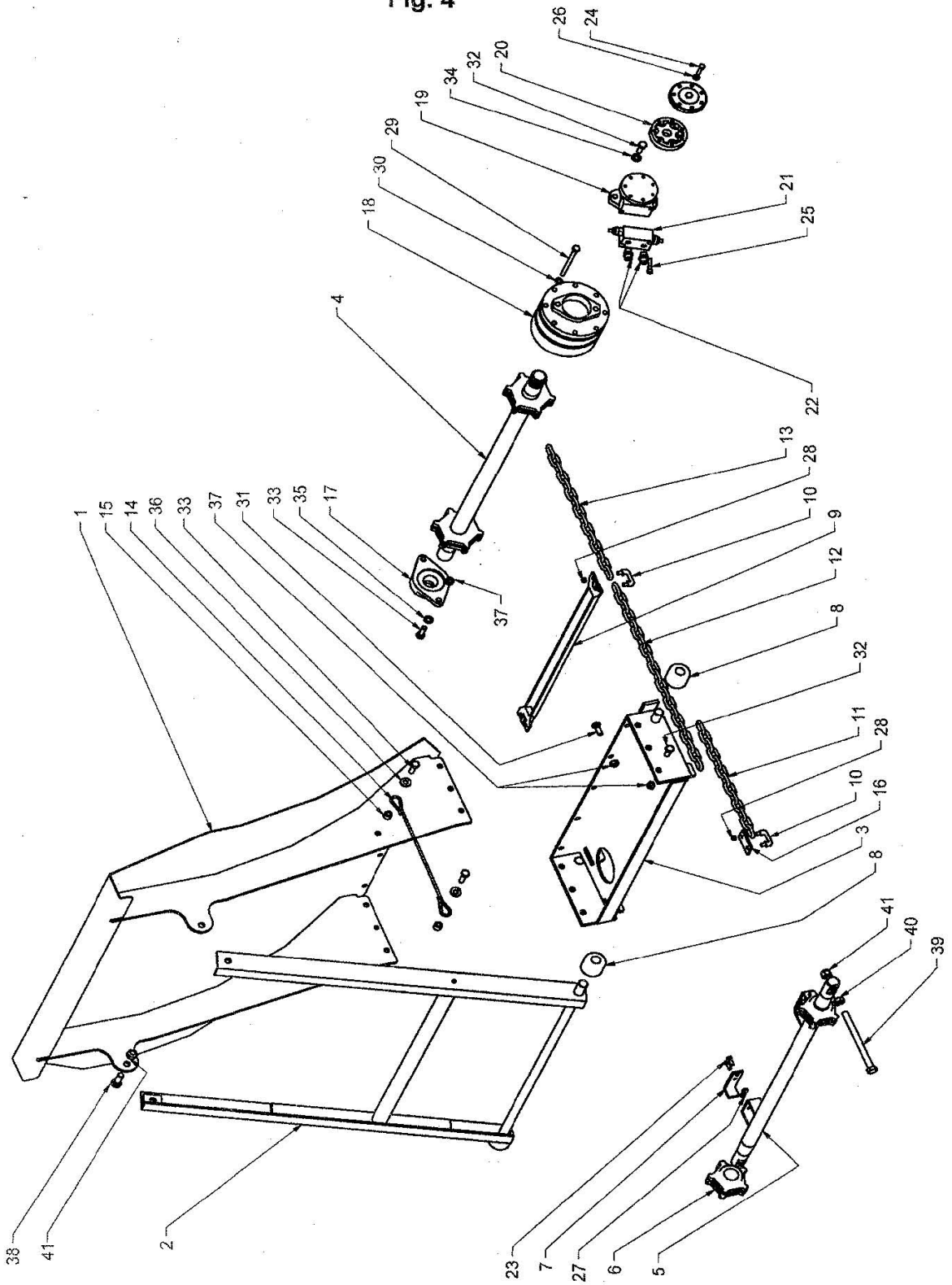


Scraper floor**Vario and Duo**

Pos.	Order no.	Order text	
1	601.04.100	Slide	
2	601.04.200	Slide support	
3	601.04.300	Slide base	
4	601.04.400	Feed shaft 5.5/7.0	
5	601.04.500	Deflection shaft 5.5/7.0	
	601.04.550	Deflection shaft 5.5/7.0 compl.	
6	201.04.007	Idler sprocket	
7	601.04.007	Scraper	
8	601.04.008	Track roller	
9	601.04.009	Stud	
10		Chain shackle screw-fixed M8	no longer in product range
	302.07.010	Chain shackle screw-fixed (from autumn 06)	M 10
11	601.04.011	Round link chain member	13 links
12	001.04.014	Round link chain member	21 links
13	000.04.013	Round link chain member	15 links
	601.04.140	Round link chain set compl. 5.5 (2x13links+6x15links+4x21links+2x119links)	without chain shackle
	601.04.015	Round link chain member	119 links
	601.04.160	Round link chain set compl. 7.0 (2x13links+12x15links+2x21links+2x149links)	without chain shackle
	601.04.017	Round link chain member	149 links
14	601.04.018	Cable loop	
15	601.04.019	Spacer tube	12/20x15 mm
16	601.04.020	Flat bar stop	
17	000.04.002	Flanged bearing	OWFS 40
18	601.04.021	Planetary gear	
19	601.04.022	G-roller motor	100 cm3
20	601.04.023	G-rotor for G-roller motor	
21	601.04.024	Double shock valve 5.5/7.0	
22	201.06.018	Screw connection	GE 18 1/2"
23	302.01.017	Hexagon screw	M8x20
24	601.04.025	7 pcs. Spec. screws	
25	601.04.026	Hexagon socket head screw	M8x50
26	302.01.025	Washer DIN 125 A	M8
27	000.02.041	Hexagon locknut	M8
28	601.04.028	Hexagon locknut steel	M10
29	601.04.029	Hexagon screw	M10x150
30	003.03.102	Washer DIN 125 A	M10
31	000.02.030	Hexagon screw	M12x30
32	601.04.032	Hexagon screw	M12x35
33	000.02.037	Hexagon screw	M12 x 40
34	601.04.034	Spring washer	M12
35	000.02.031	Washer DIN 125 A	M12
36	301.03.016	Washer VSM 13908	13/28x4
37	000.03.018	Hexagon locknut	M12

Pos.	Order no.	Order text	
38	201.12.032	Hexagon screw	M16x35
39	601.04.039	Hexagon screw	M16x200
40	601.04.040	Hexagon nut	M16
41	201.04.026	Hexagon locknut	M16

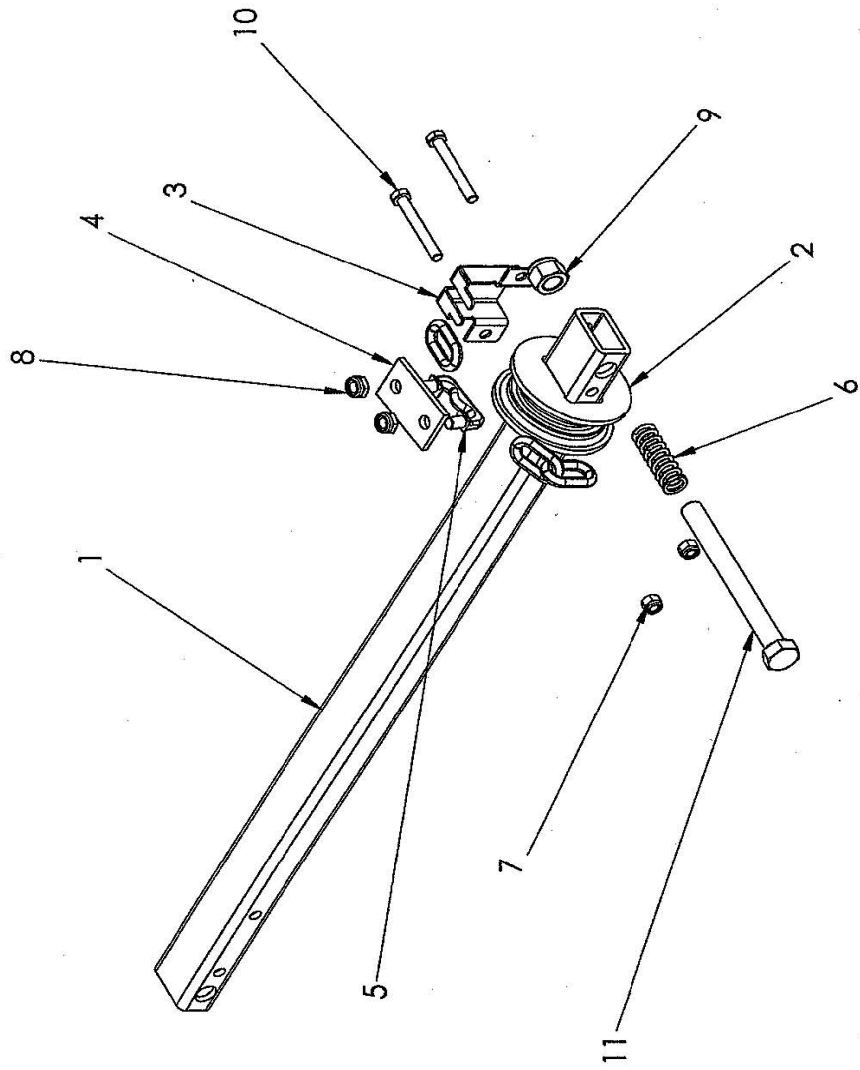
Fig. 4



New deflection**Vario and Duo**

Pos.	Order no.	Order text	Dimension
1	602.04.500	Clamping bar	
2	303.07.006	Deflection slider	
3	303.07.005	Finger guard deflection slider	
4	000.04.009	Flat bar stop	
5	302.07.010	Shackle screwable	M 10
6	201.04.025	Compression spring	
7	000.02.041	Hexagon locknut	M 8
8	601.04.028	Hexagon locknut steel	M 10
9	201.04.026	Hexagon locknut	M 16
10	201.04.031	Hexagon screw	M 8 x 65
11	601.04.039	Hexagon screw	M 16 x 220
	602.04.150	Deflection complete	

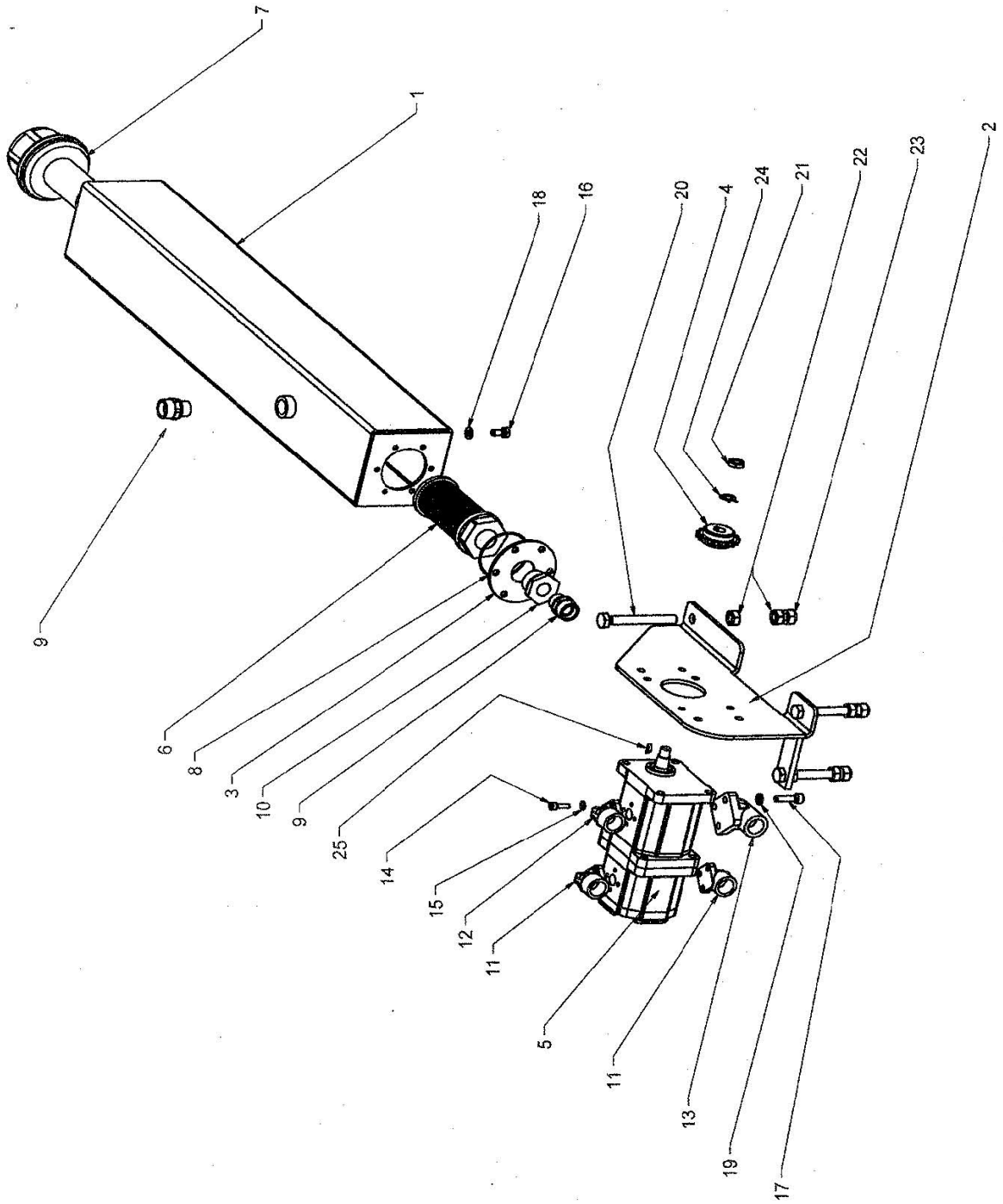
- 4b -



Hydraulic unit**Vario and Duo**

Pos.	Order no.	Order text	Dimension
1	601.05.100	Hydro tank	
2	601.05.200	Pump support	
3	201.06.016	Flange for suction filter	
4	000.06.015	Chain sprocket 3/8" conical	z 17
5	601.05.005	Double gear pump anticlockwise rotation	
6	201.06.015	Suction filter	
7	201.06.014	Filler cap compl.	
8	601.05.008	O-ring	d 66.4x1.78
9	201.06.018	Screw connection	GE 18 1/2"
10	201.06.017	Reducing fitting	1" / 1/2"
11	201.06.020	Connection angle	1/2"
12	601.05.012	Connection angle	3/8"
13	601.05.013	Connection angle	1"
14	201.06.021	Hexagon socket head screw	M6x20
15	601.05.015	Spring washer	M6
16	302.01.017	Hexagon screw	M8x20
17	302.01.015	Hexagon socket head screw	M8x30
18	302.01.025	Washer DIN 125 A	M8
19	601.05.019	Spring washer	M8
20	302.01.021	Hexagon screw	M12x100
21	601.05.021	Hexagon nut low	M12
22	000.02.032	Hexagon nut	M12
23	000.03.018	Hexagon locknut	M12
24	601.05.024	Retaining washer	M12
25	601.05.025	Woodruff key	

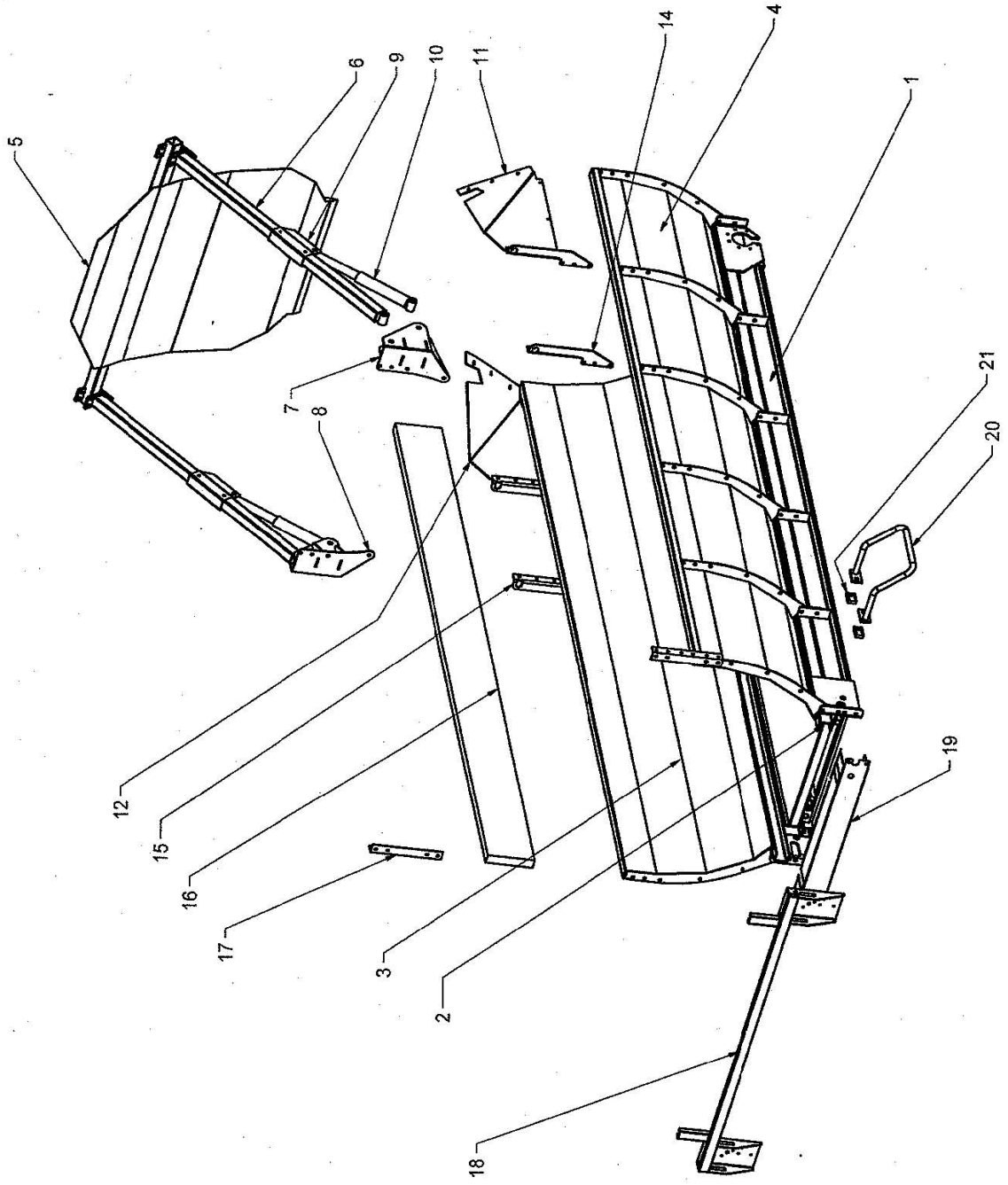
Fig. 5



Tank**Vario and Duo**

Pos.	Order no.	Order text	Dimension
1	601.06.100	Base frame 5.5	
	602.06.100	Base frame 7.0	
2	601.06.002	Floor plate 5.5	
	602.06.002	Floor plate 7.0	
3	601.06.300	Side panel left 5.5	
	602.06.300	Side panel left 7.0	
4	601.06.300	Side panel right 5.5	
	602.06.300	Side panel right 7.0	
5	601.06.500	Loading flap	
6	601.06.600	Arm for loading flap	
7	601.06.700	Loading flap holder right	
8	601.06.800	Loading flap holder left	
9	601.06.900	Cylinder holder	
10	603.06.100	Cylinder single acting	
11	602.06.110	Access guard right	
12	602.06.120	Access guard left	
14	601.06.014	Lifting eye right	
15	601.06.015	Lifting eye left	
16	601.06.016	Wood strip 5.5	
	602.06.016	Wood strip 7.0	
17	601.06.017	Mounting bracket	
18	601.06.180	Lighting holder	
	602.06.180	Lighting compl.	
19	601.06.190	Deflection shaft guard	
20	602.06.220	Step	
21	601.06.021	Counterplate (halved)	

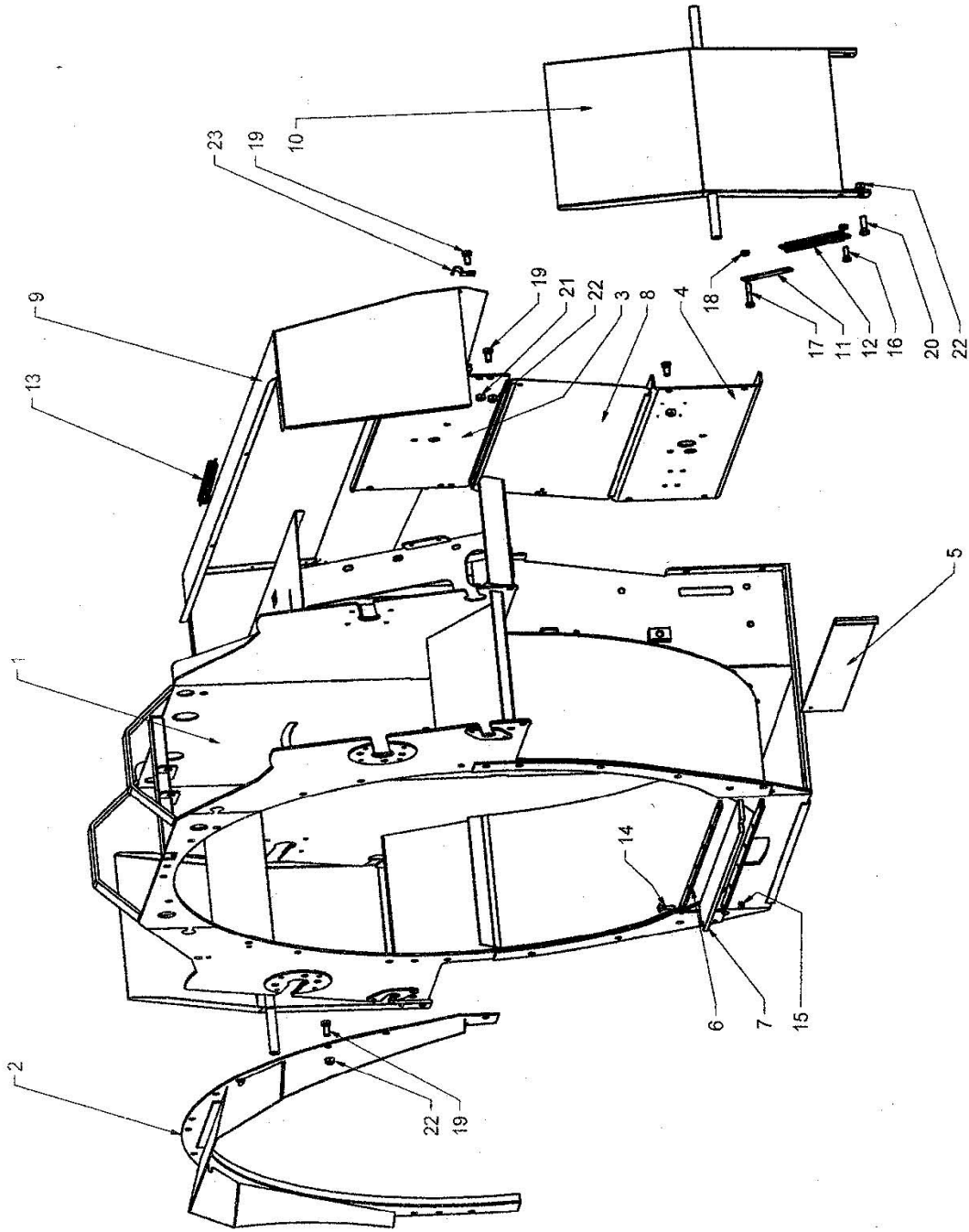
Fig. 6



Spreading housing Vario and Duo

Pos.	Order no.	Order text	Dimension
1	601.07.100	Spreading housing Duo	
	602.07.100	Spreading housing Vario	
2	601.07.200	Inlet plate Duo	
	602.07.200	Inlet plate Vario	
3	601.07.300	Bearing cross-piece top	
4	601.07.400	Bearing cross-piece bottom	
5	601.07.005	Cleaning wiper	
6	601.07.006	Clamp bar	
7	601.07.007	Mud flap scraper floor	
8	601.07.008	Spreading box guard	
9	601.07.900	V-belt guard Duo	
	602.07.900	V-belt guard Vario	
10	603.07.110	Spreading rotor guard Duo	
11	601.07.011	Flat iron Duo	
12	601.07.012	Tension spring spreading rotor guard	
13	601.07.013	Tension spring V-belt guard	
14	000.02.040	Lock screw	M8 x 35
15	000.02.041	Hexagon locknut	M8
16	302.03.015	Hexagon screw	M10x30
17	101.03.003	Hexagon screw	M10x60
18	201.04.165	Hexagon nut	M10
19	000.02.030	Hexagon screw	M12x30
20	000.02.037	Hexagon screw	M12 x 40
21	000.02.032	Hexagon nut	M12
22	000.03.018	Hexagon locknut	M12
23	601.07.023	Clamp for guard	

Fig. 7



Towbar and axle Vario and Duo

Pos.	Order no.	Order text	Dimension
1	601.08.100	Towbar frame	
2	601.08.200	Chassis	
3	601.08.003	Brake axle	Track width: 1950 mm
4	601.08.400	Towbar cheek top left	
	602.08.400	Towbar cheek bottom left	
5	601.08.500	Towbar cheek top right	
	602.08.500	Towbar cheek bottom right	
6	601.08.600	Drawbar eye for top hitch	
	602.08.600	Drawbar eye for bottom hitch	d 40
7	601.08.700	Control block holder frame	
8	601.08.800	Control block bar	
9	601.08.900	Control block plate with U-iron	
10	602.08.100	Adjustment support for hydr. brake	
11	601.08.011	Clamp bar for brake axle	
12	601.08.120	Support foot (height-adjustable)	
13	601.08.013	Running wheel (specify size)	
14	101.10.003	Farmerstop brake lever	
15	601.08.015	Brake cylinder	
16	601.08.016	Adjusting spindle for brake cable	
17	301.03.009	Threaded elbow joint	WE 12 LR 1/4" A3C
18	601.08.018	Hose clamp small	
19	601.08.019	Hose clamp large	
20	201.12.032	Hexagon screw	M16x35
21	601.08.021	Hexagon screw	M16x50
22	601.08.022	Hexagon screw	M16x100
23	201.12.033	Halfen head screw	M16x40
24	201.12.031	Toothed washer	M16
25	201.04.026	Hexagon locknut	M16
26	601.08.026	Hexagon screw	M20x260
27	601.08.027	Hexagon nut	M20
28	601.08.028	Hexagon screw	M24x60
29	601.08.029	Washer DIN 125 A	M24
30	601.08.030	Hexagon locknut	M24
31	201.12.030	Counter plate	M16

Fig. 8

